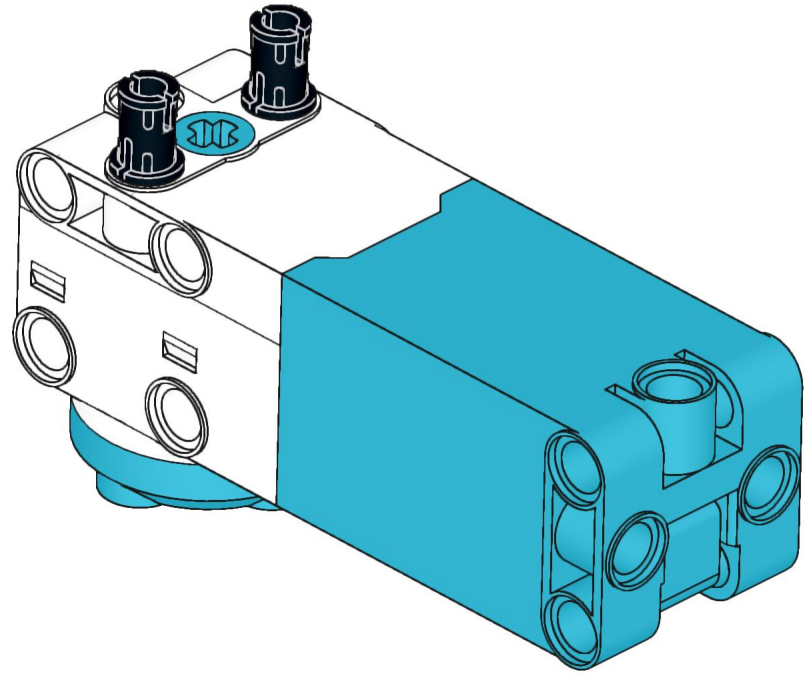
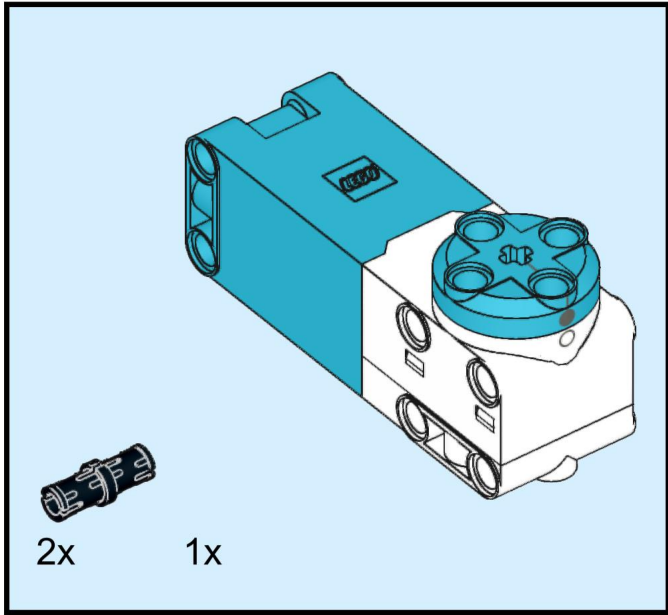
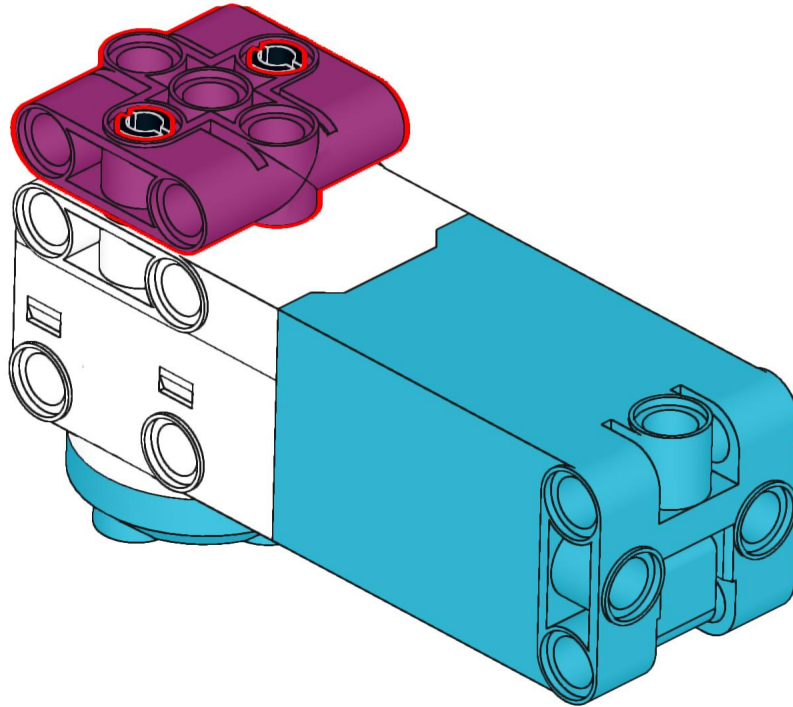
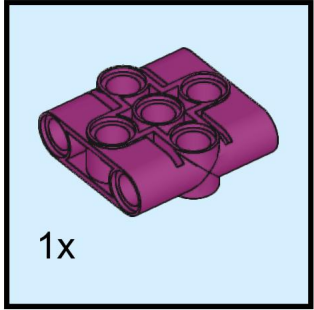


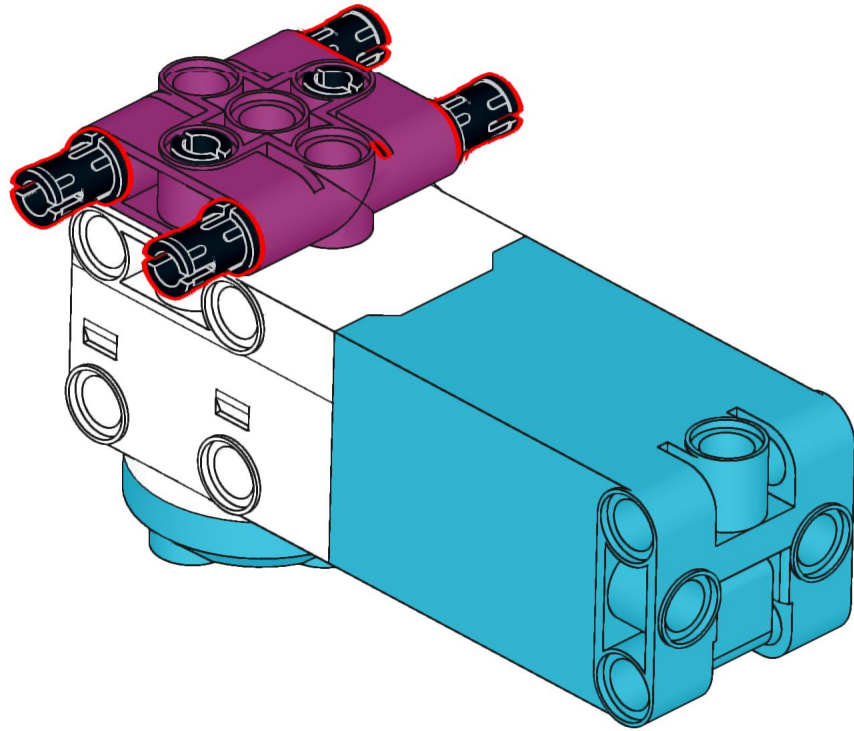
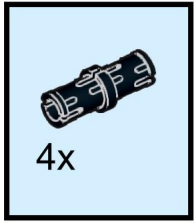
1



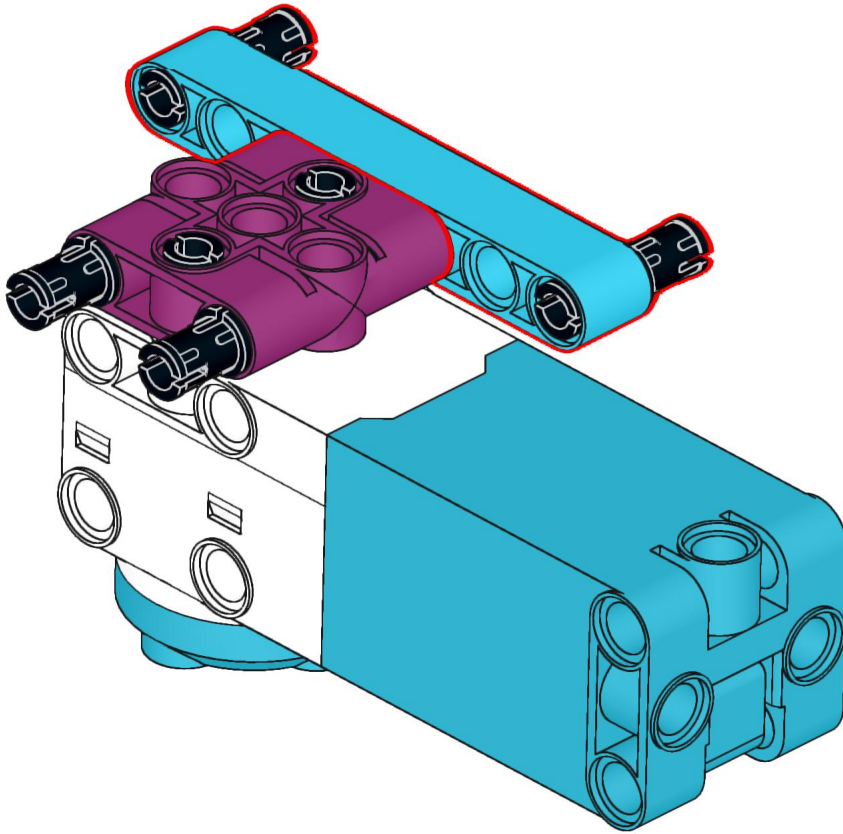
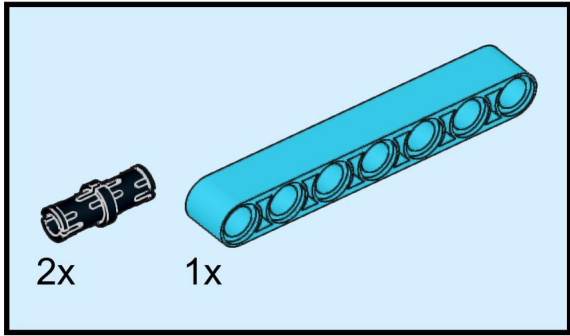
2



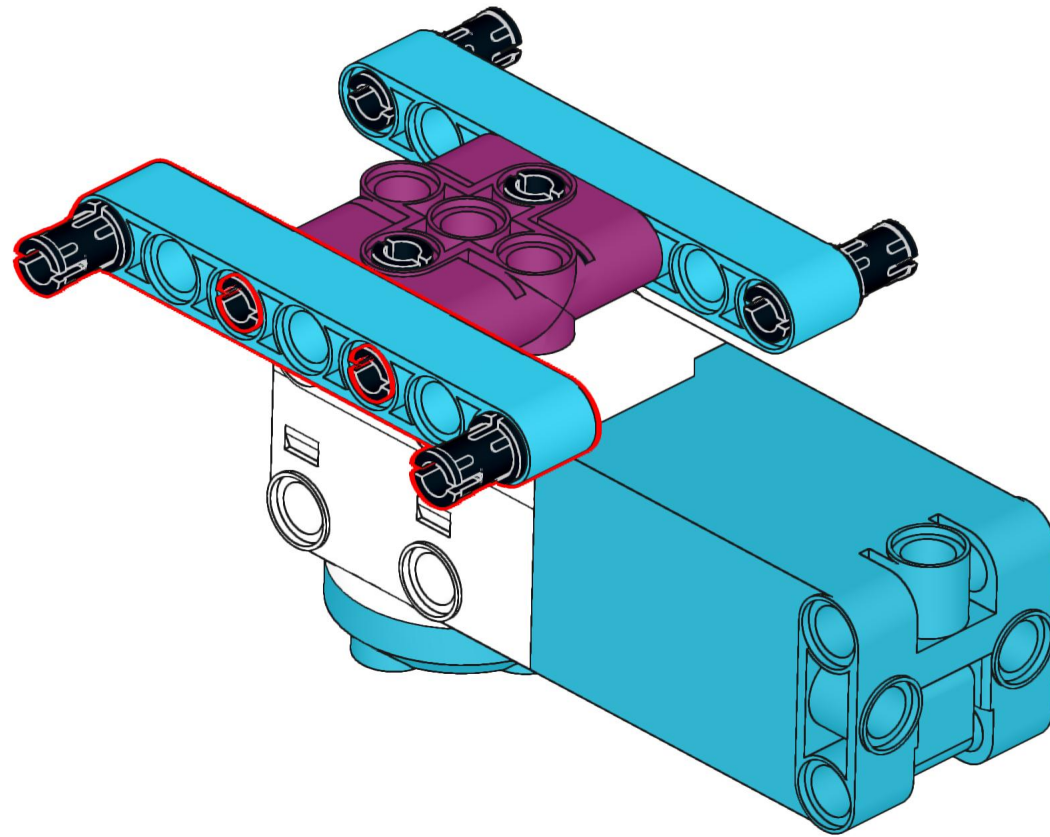
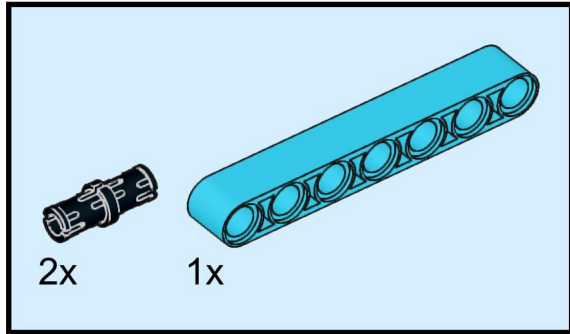
3



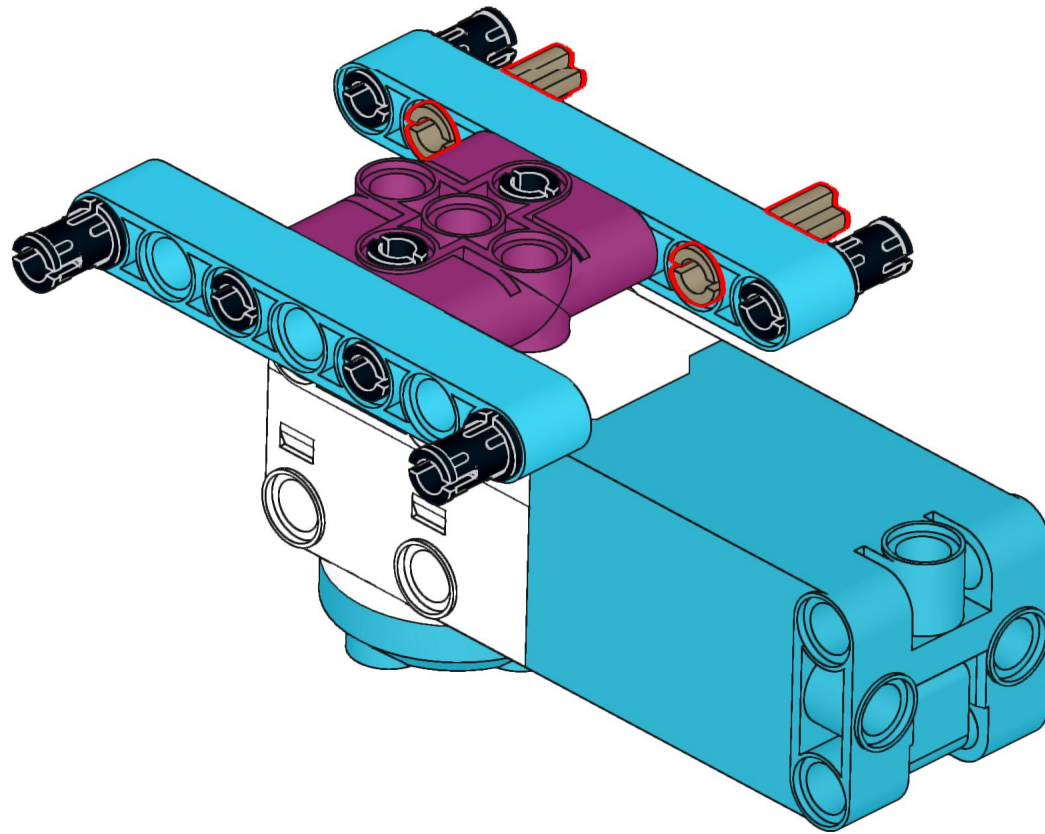
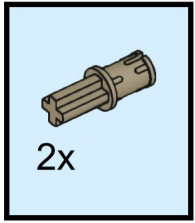
4



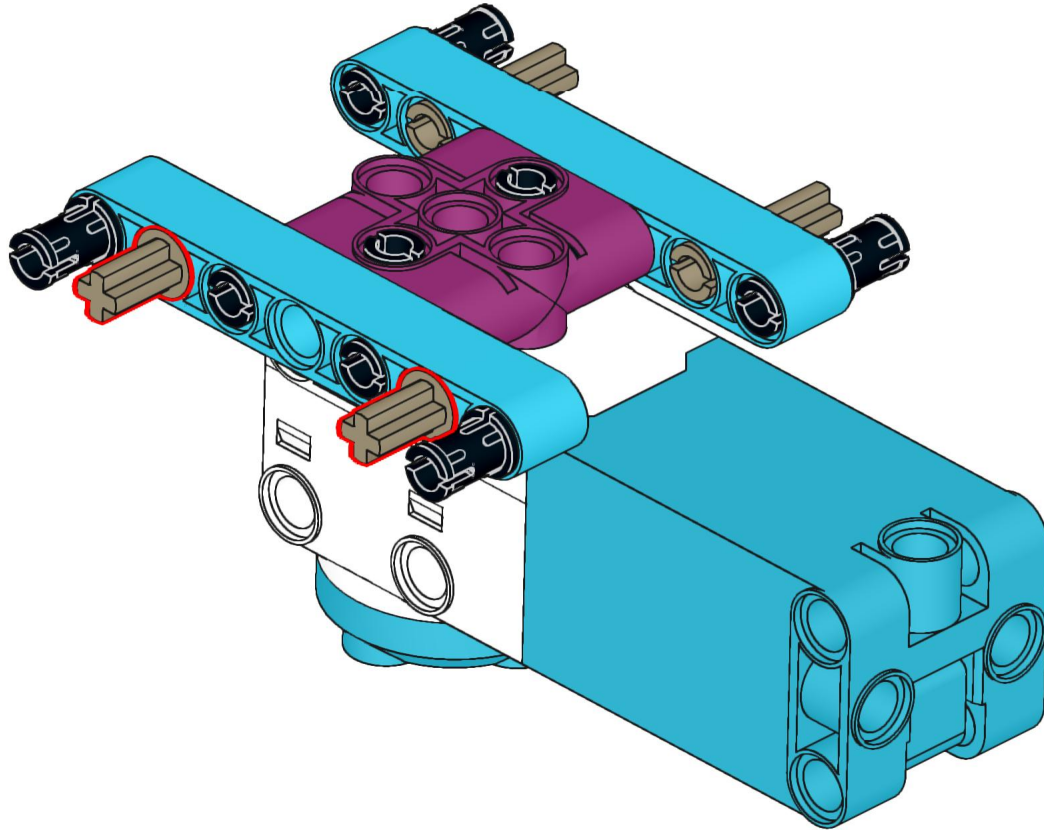
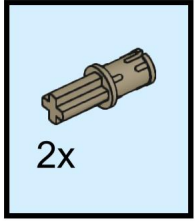
5



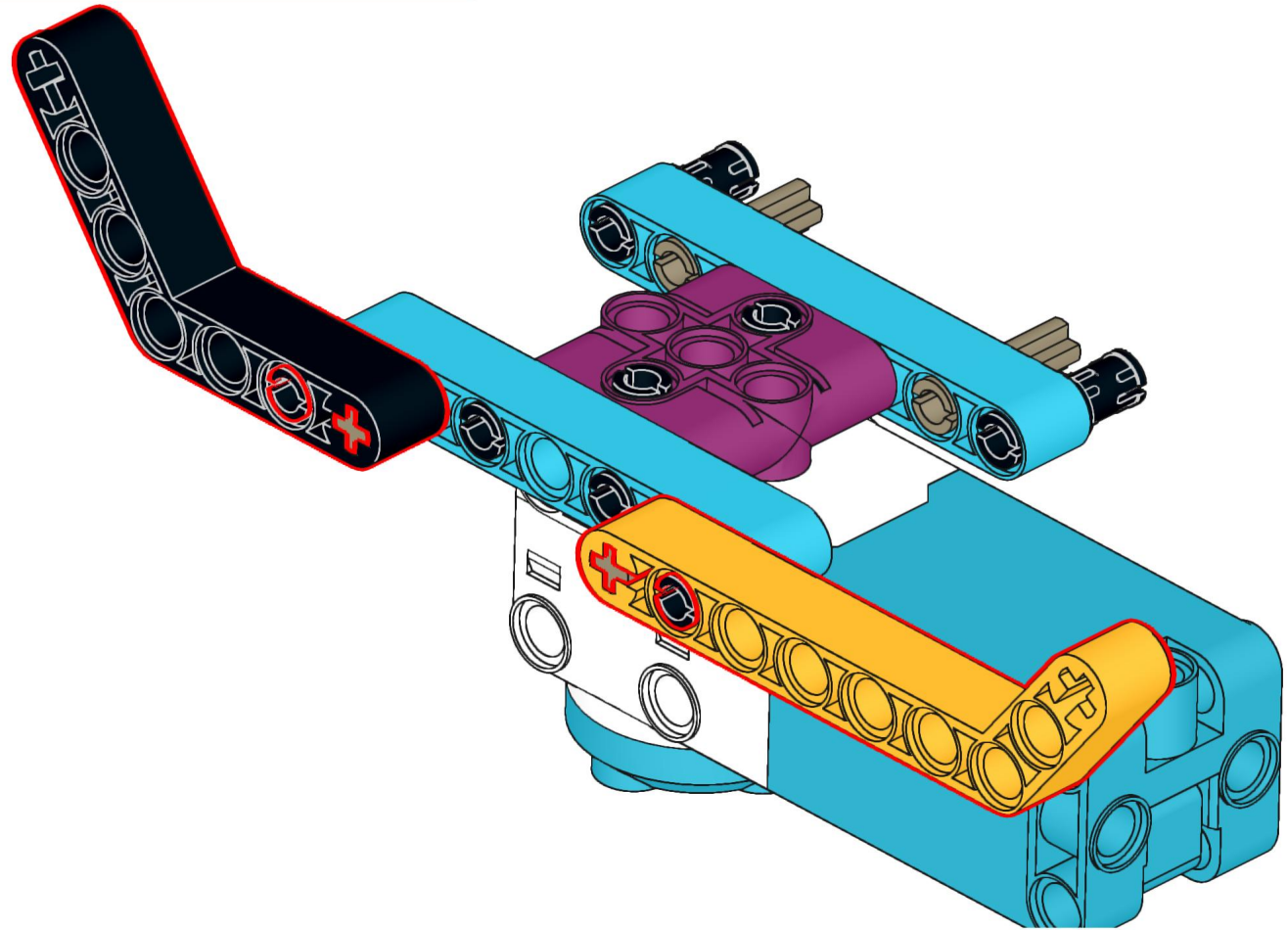
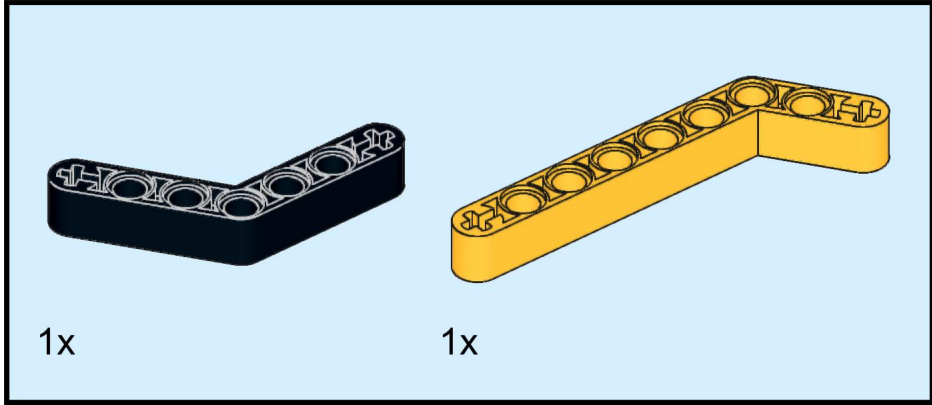
6



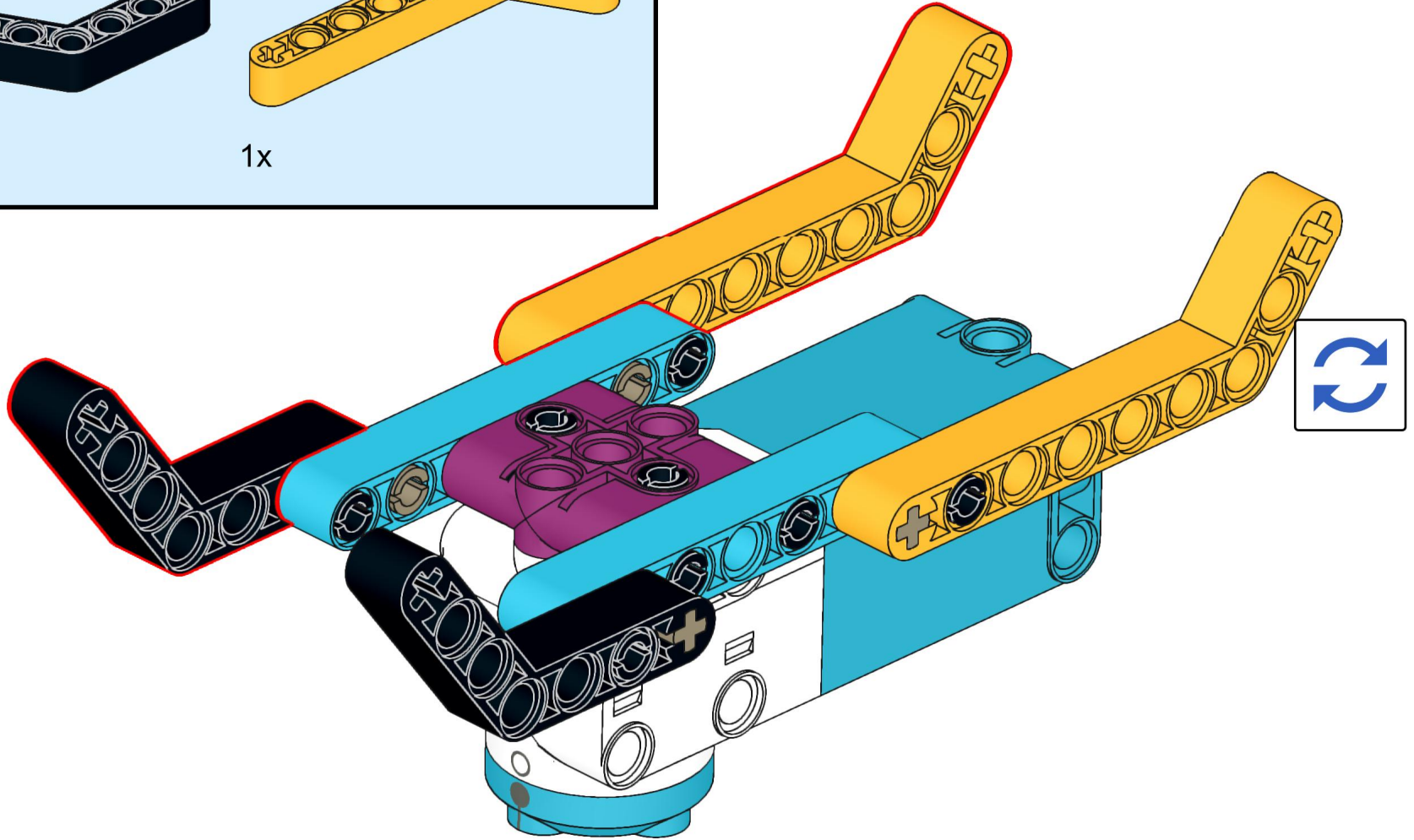
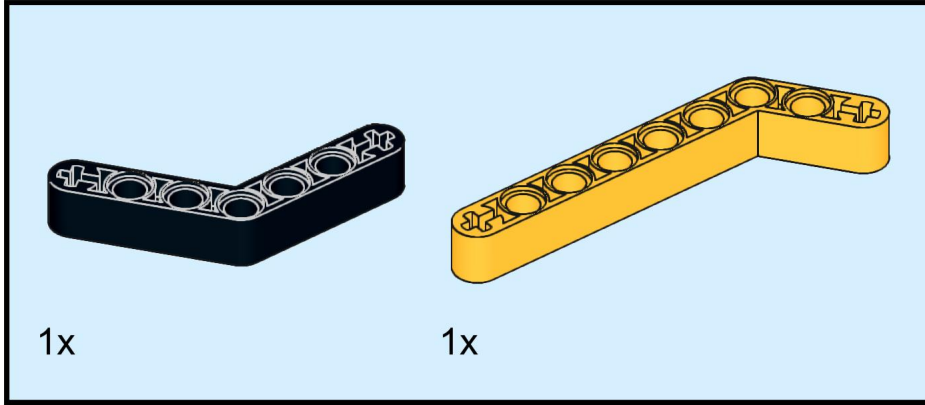
7



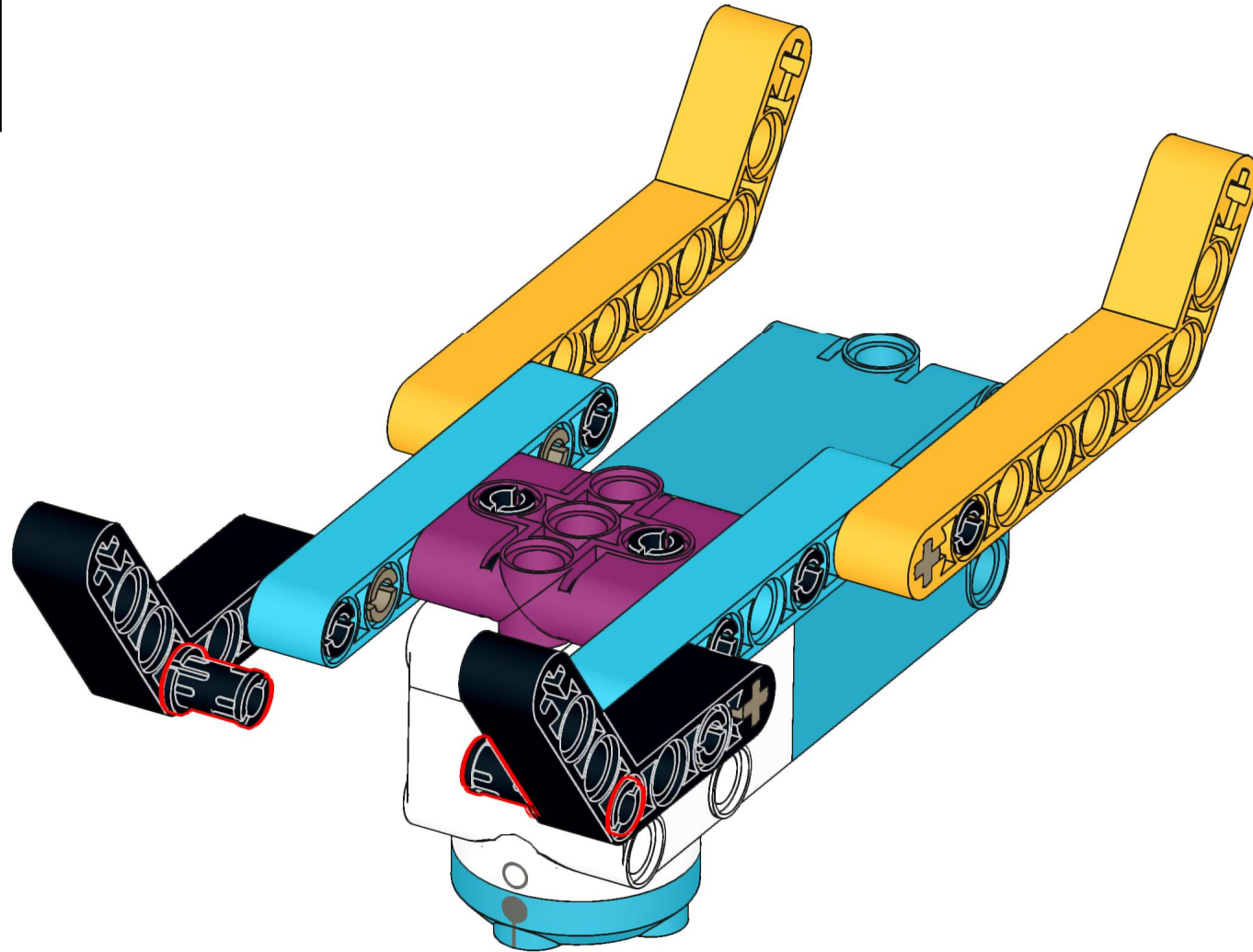
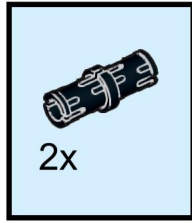
8



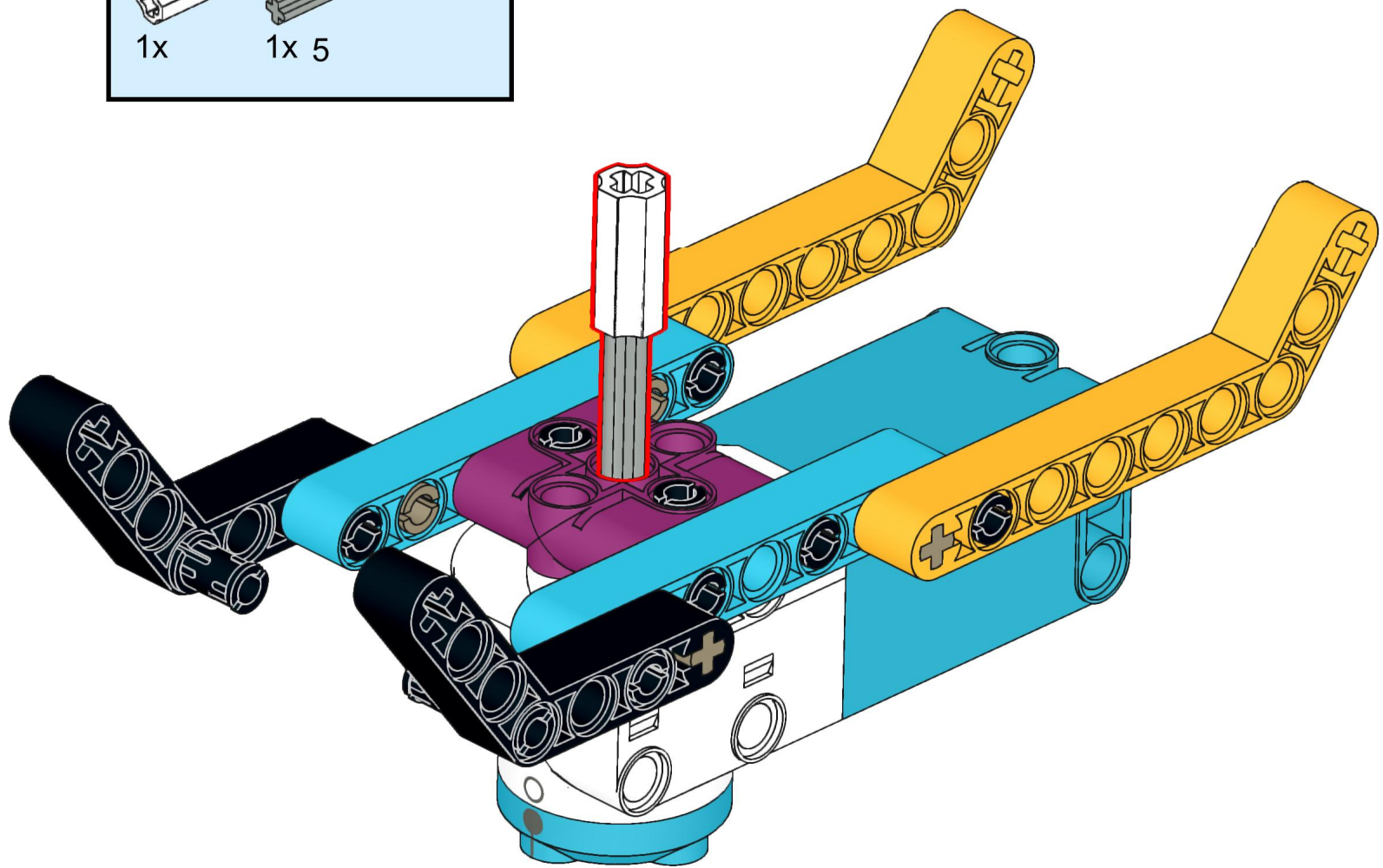
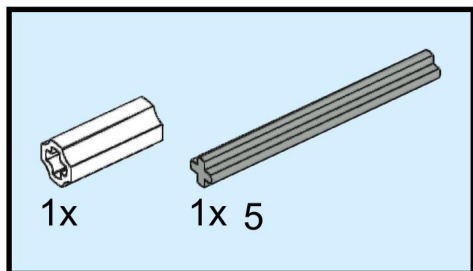
9



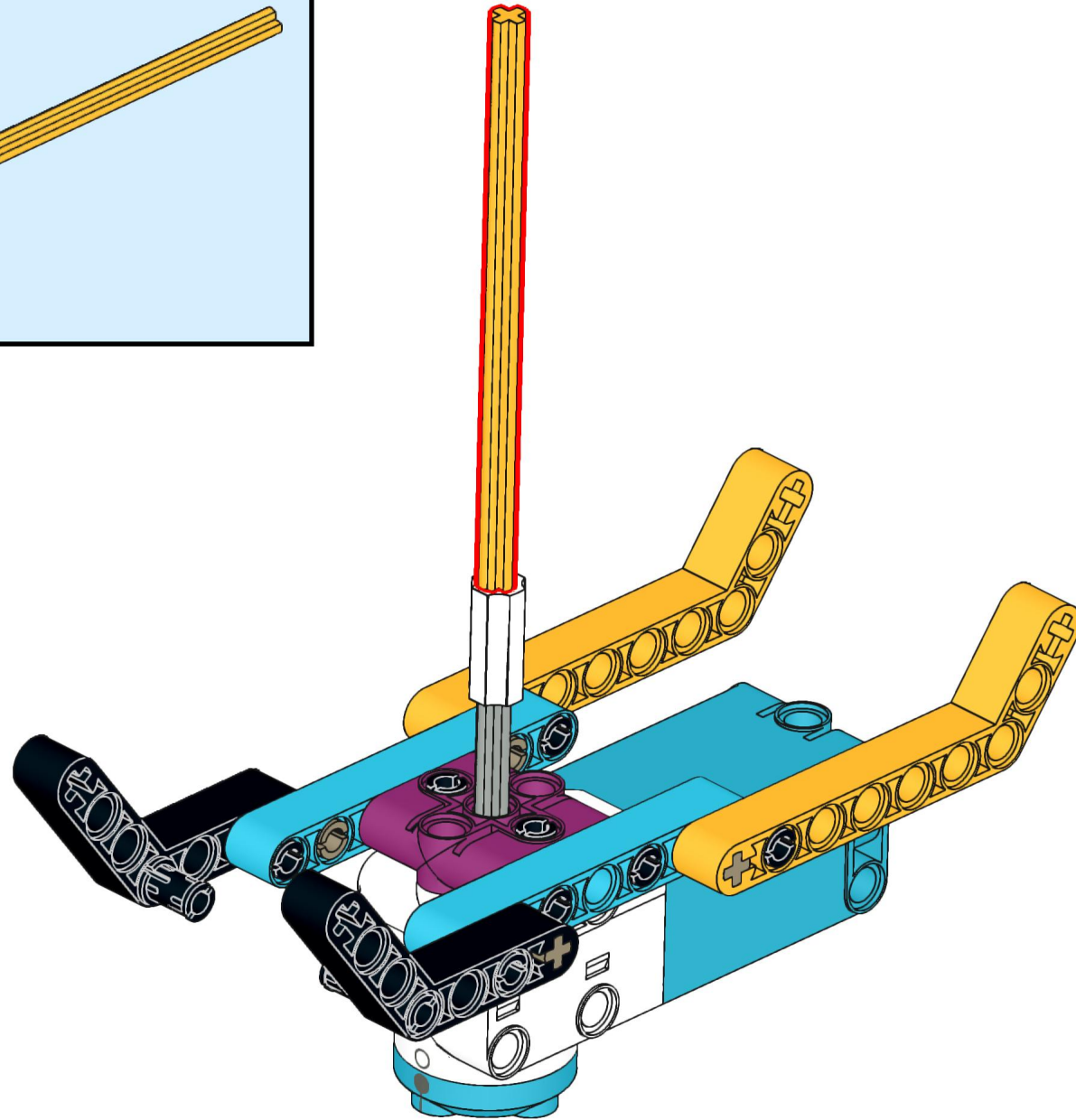
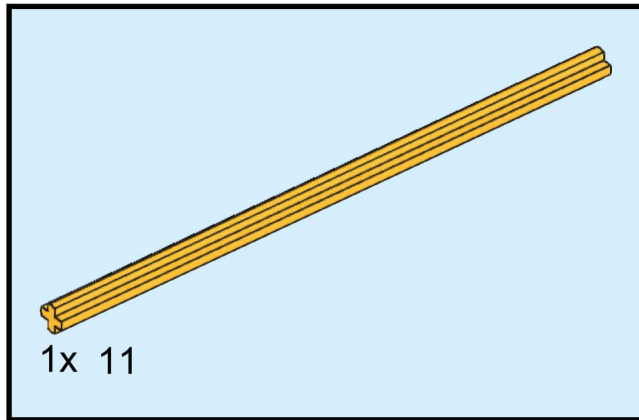
10



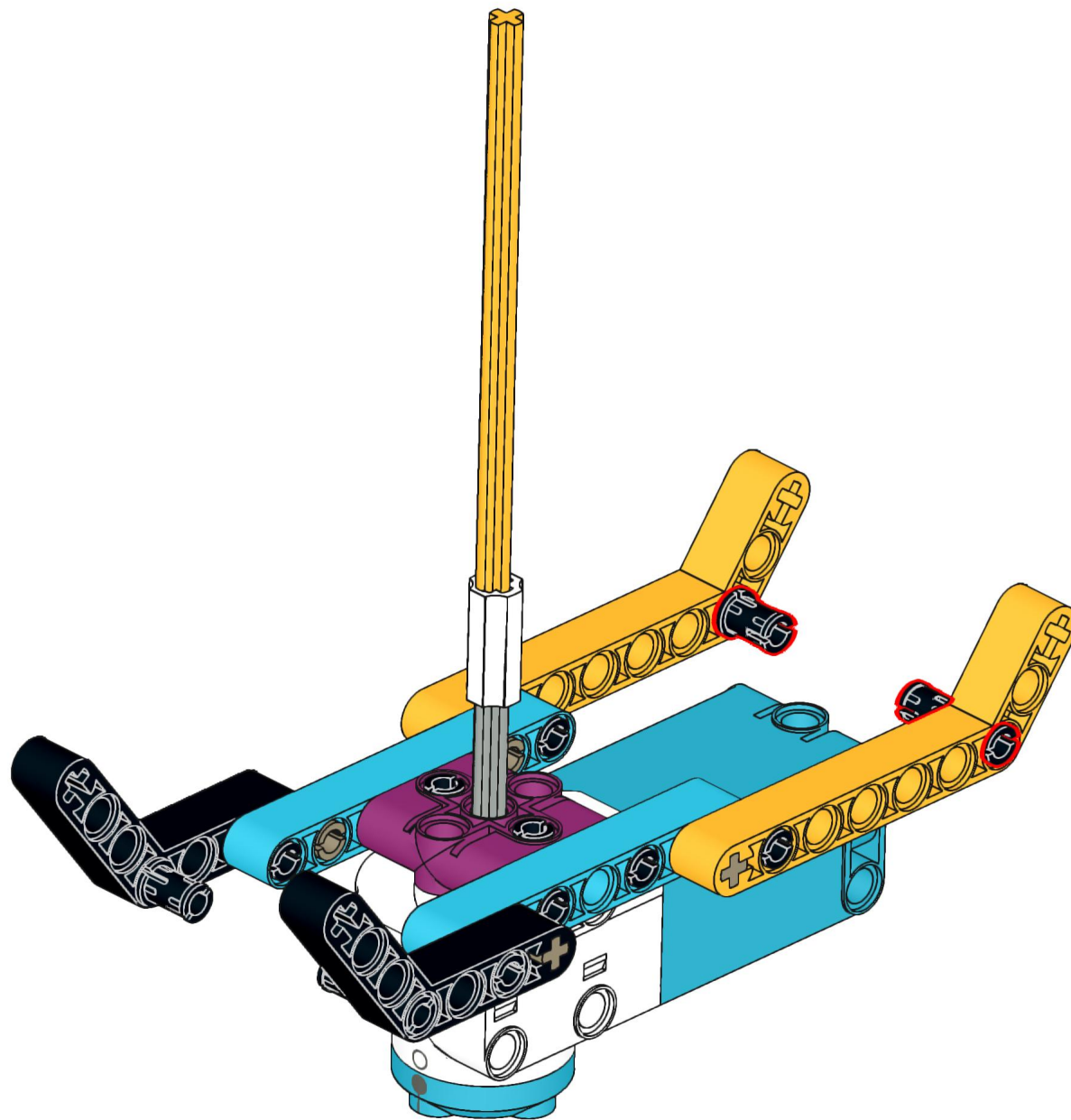
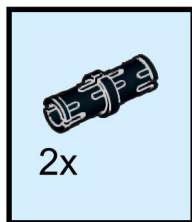
11



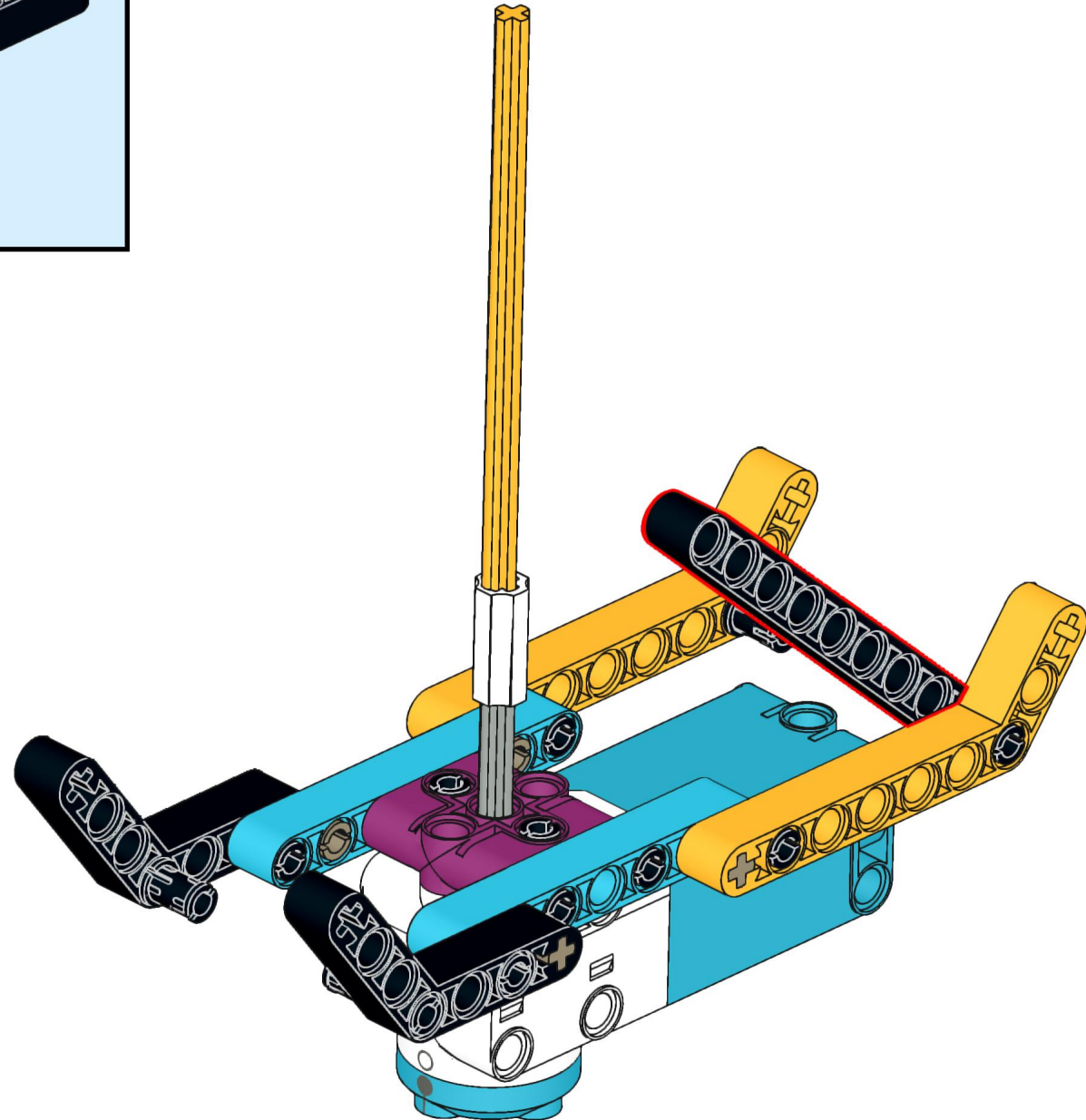
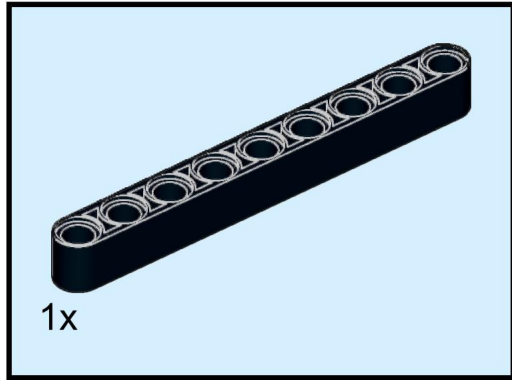
12



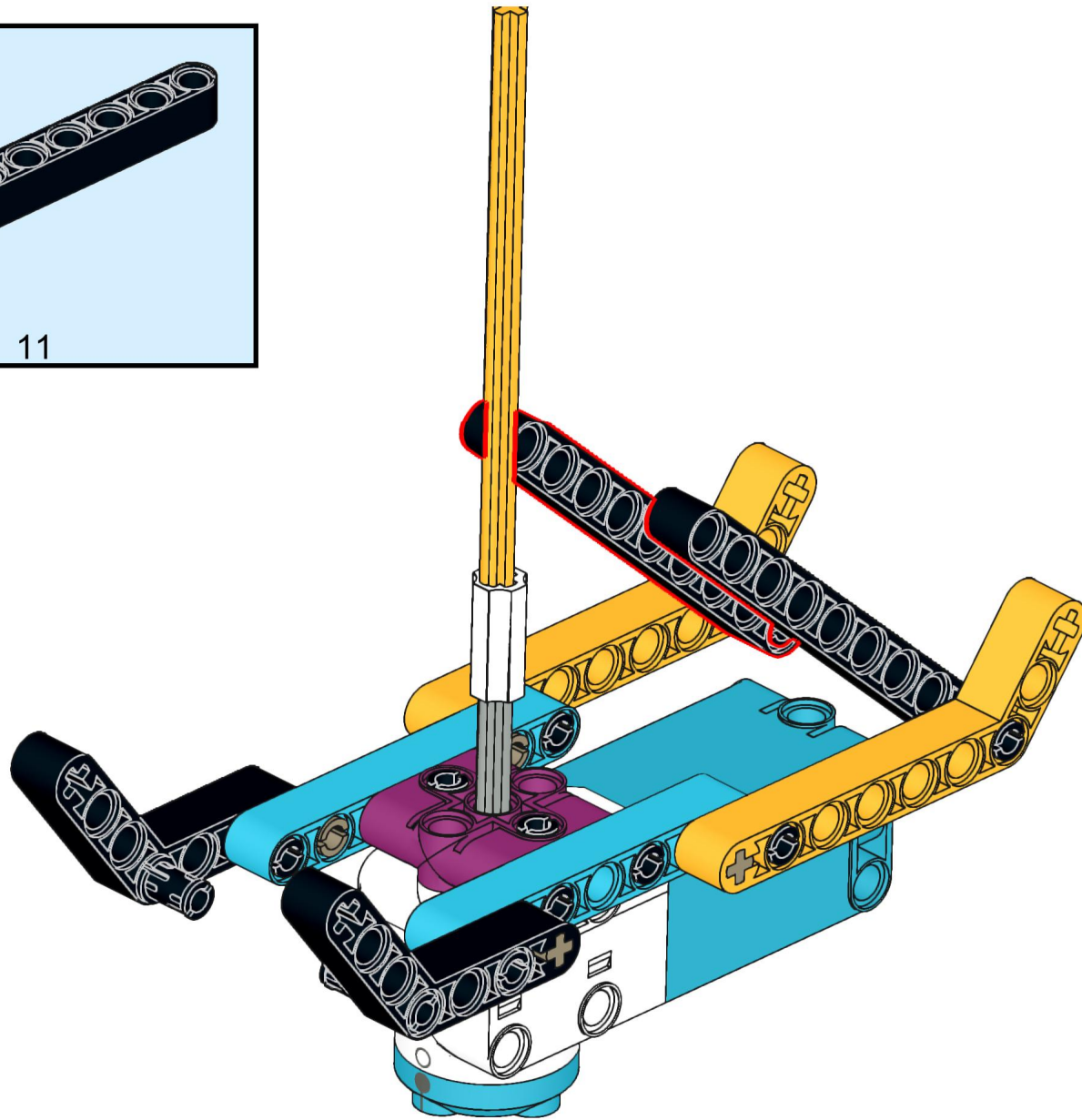
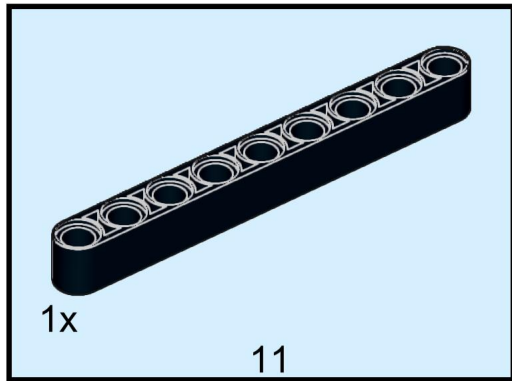
13



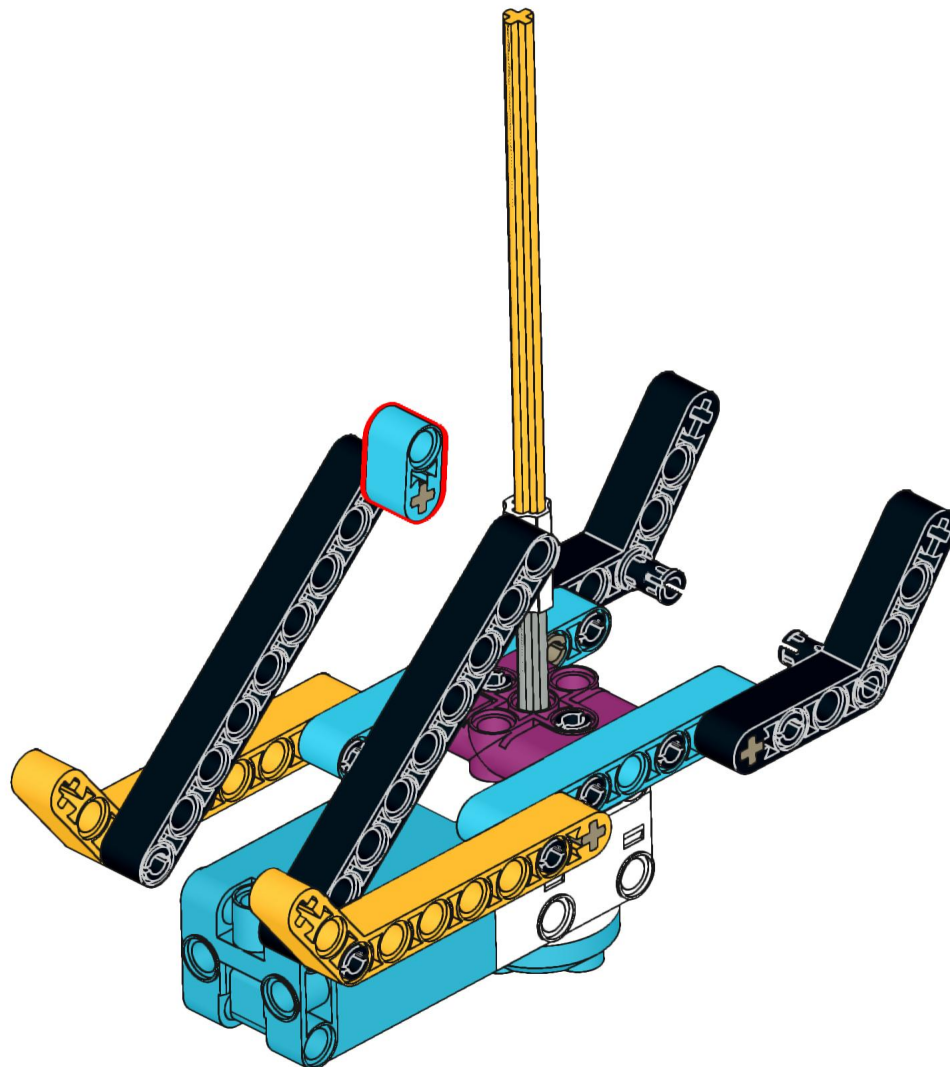
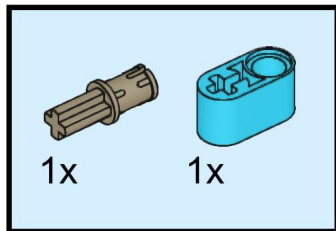
14



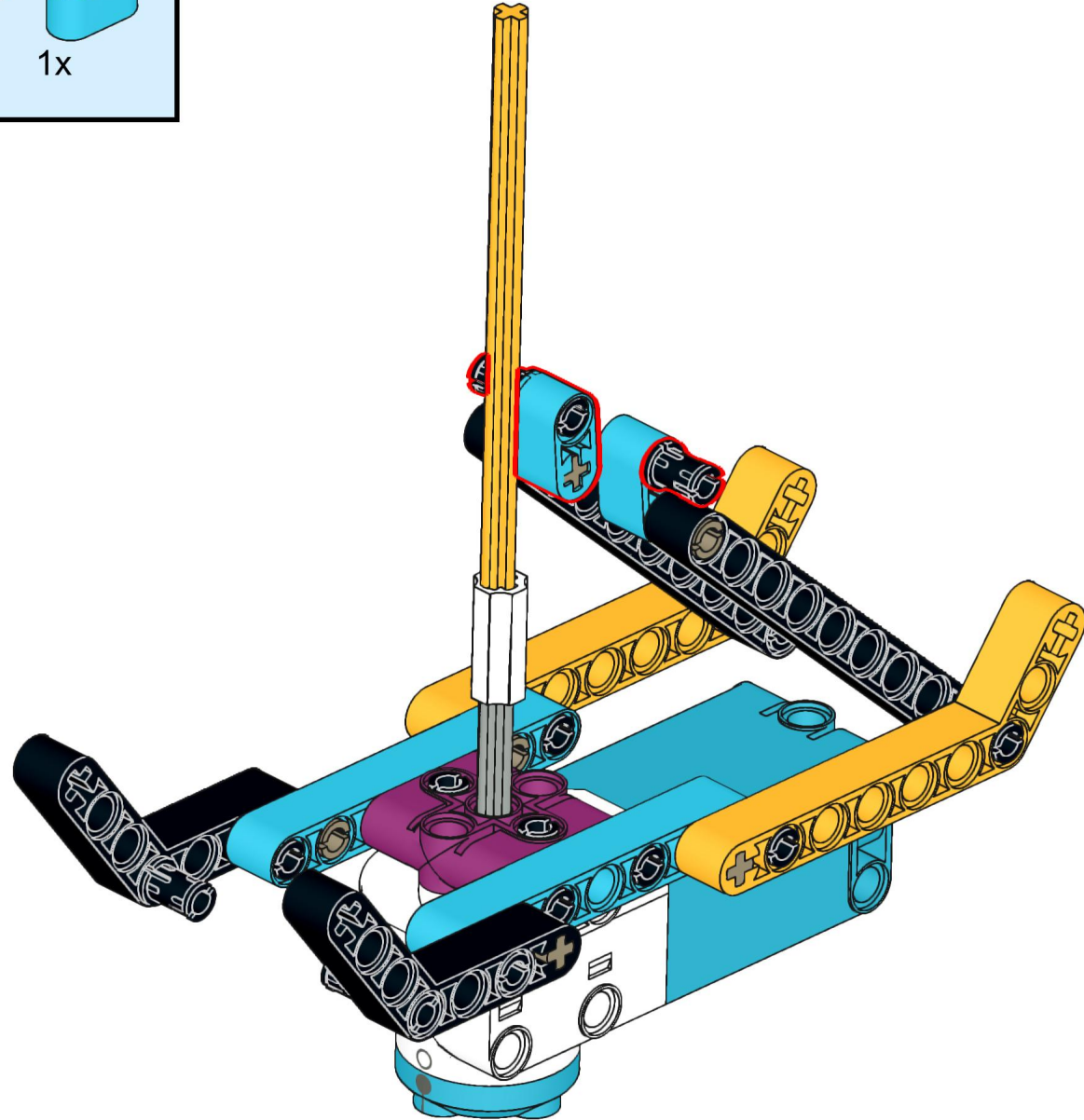
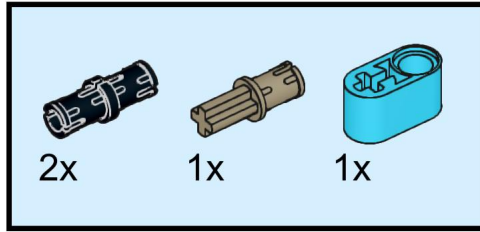
15



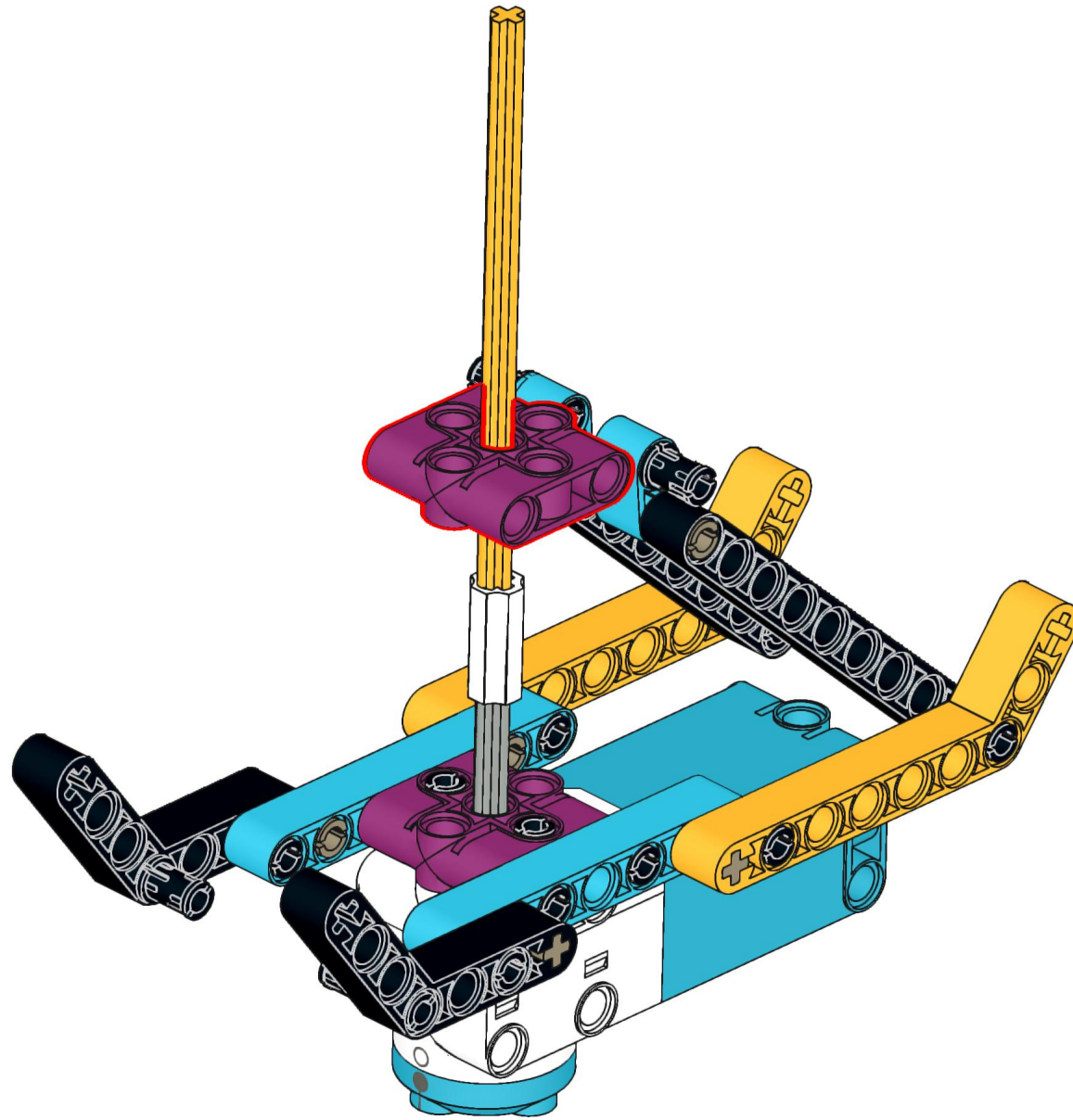
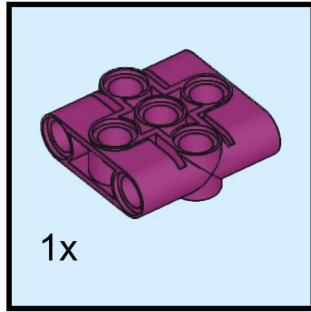
16



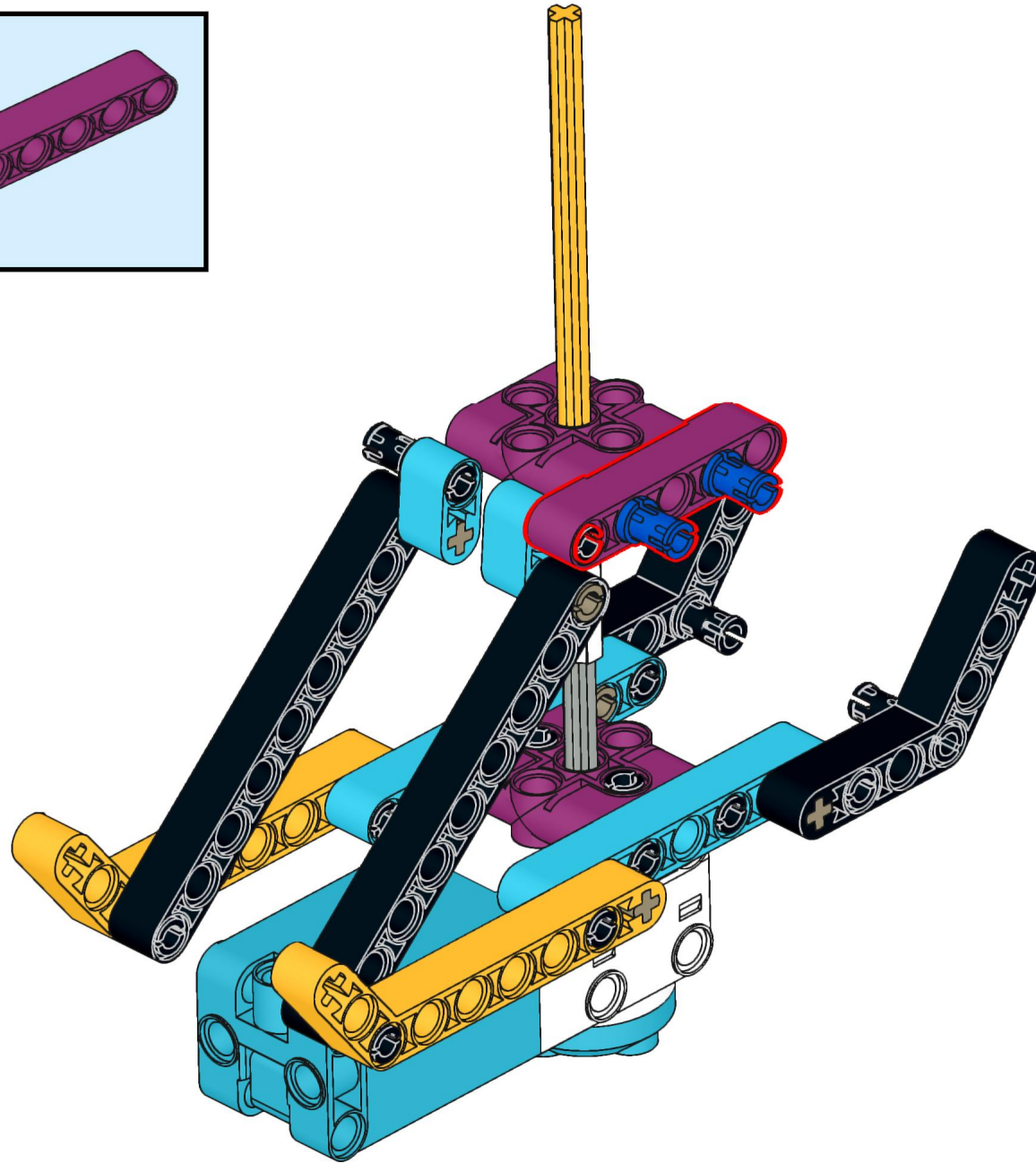
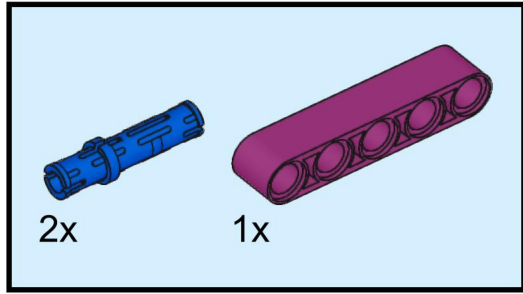
17



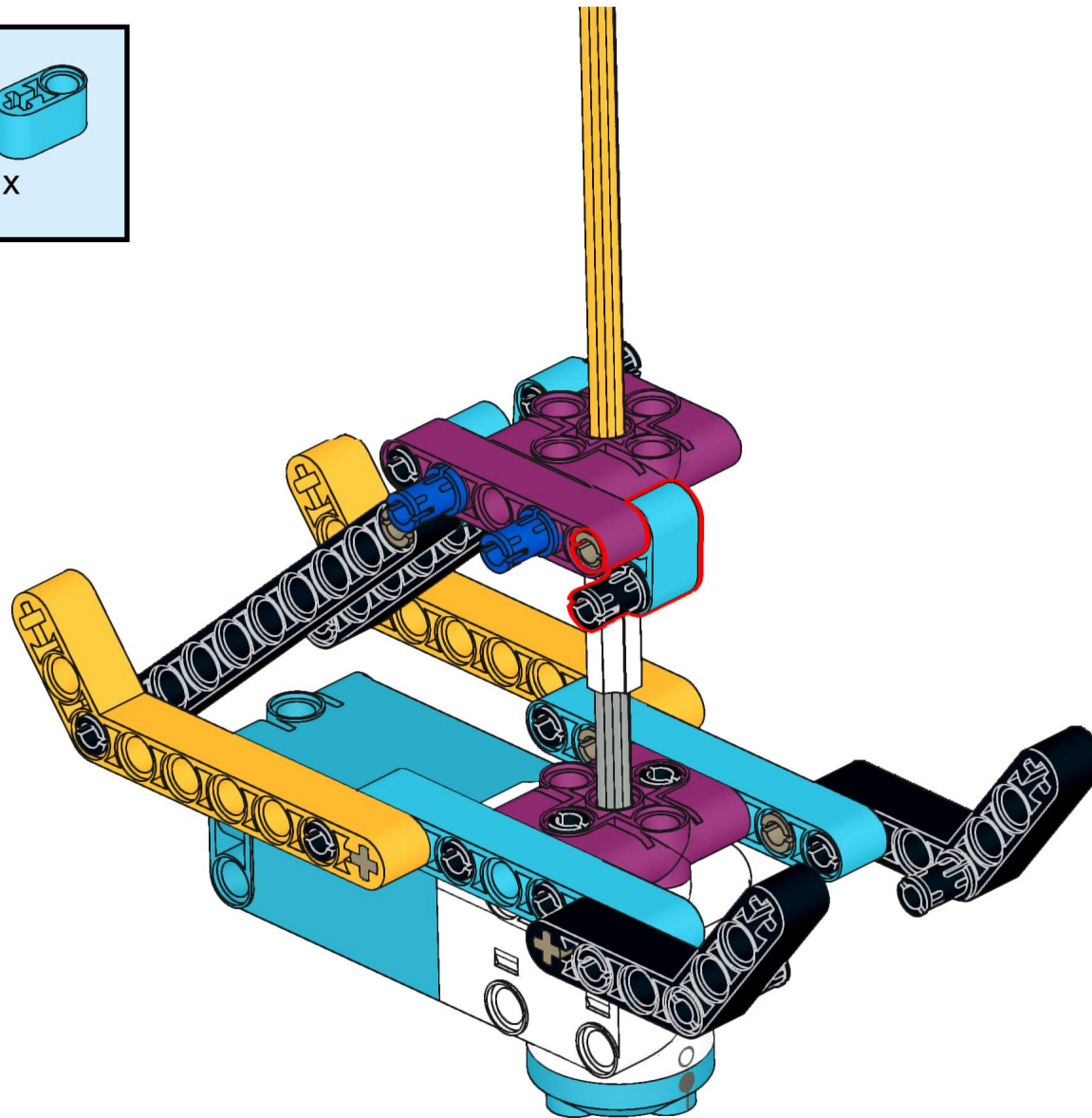
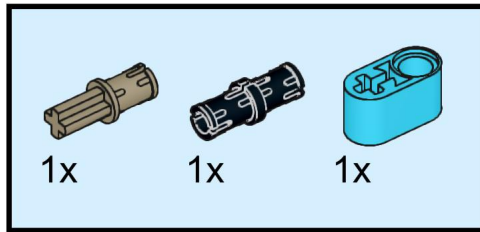
18



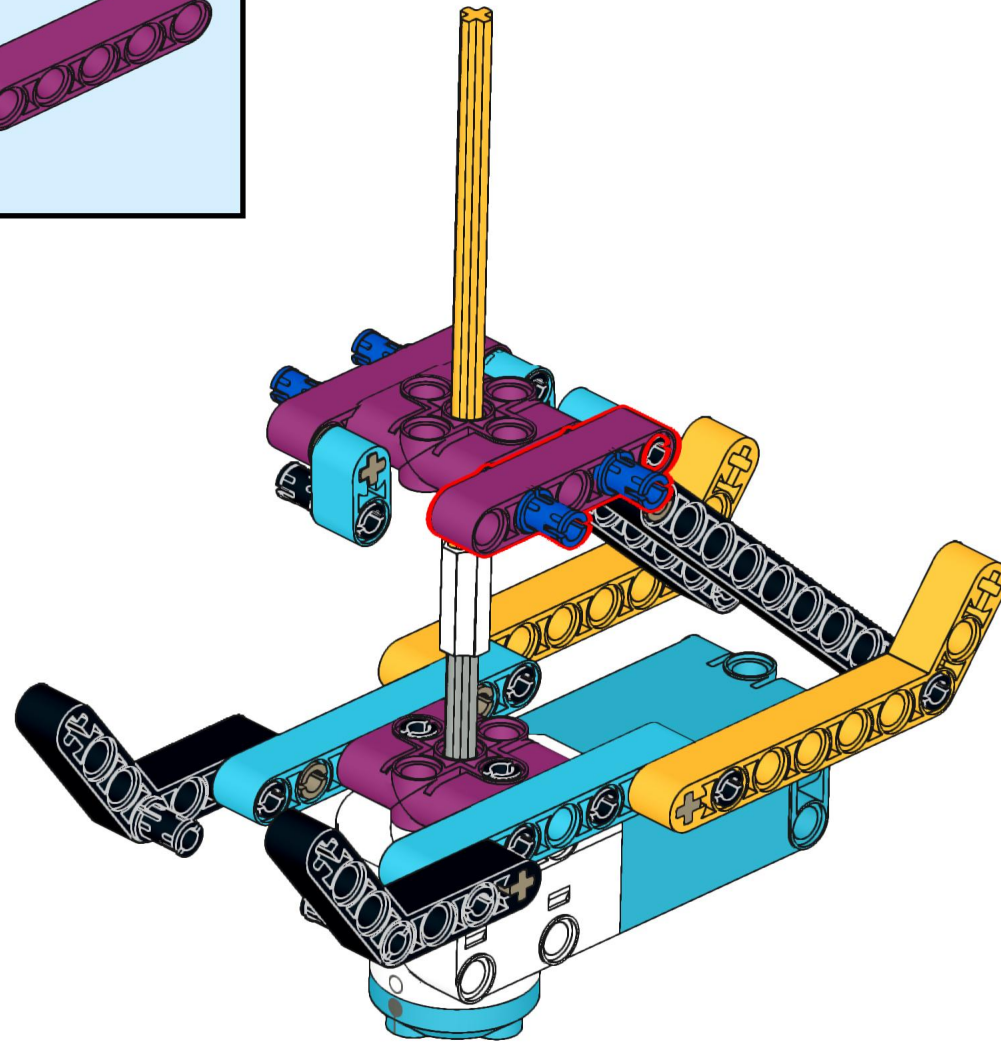
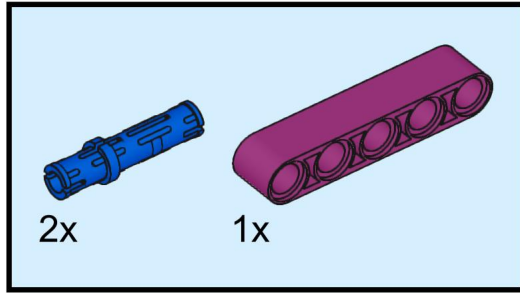
19



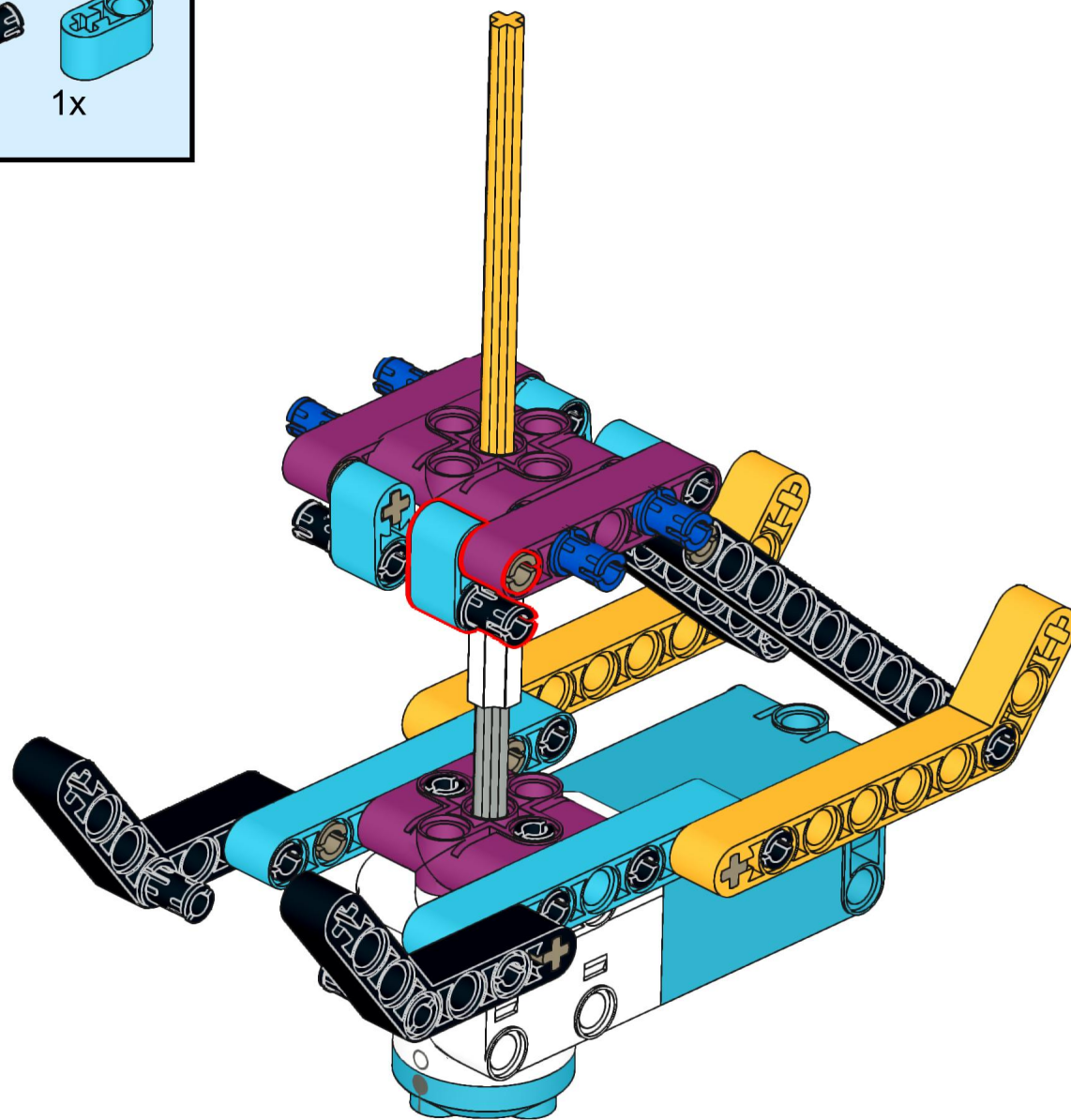
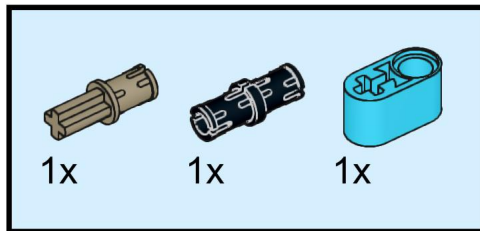
20



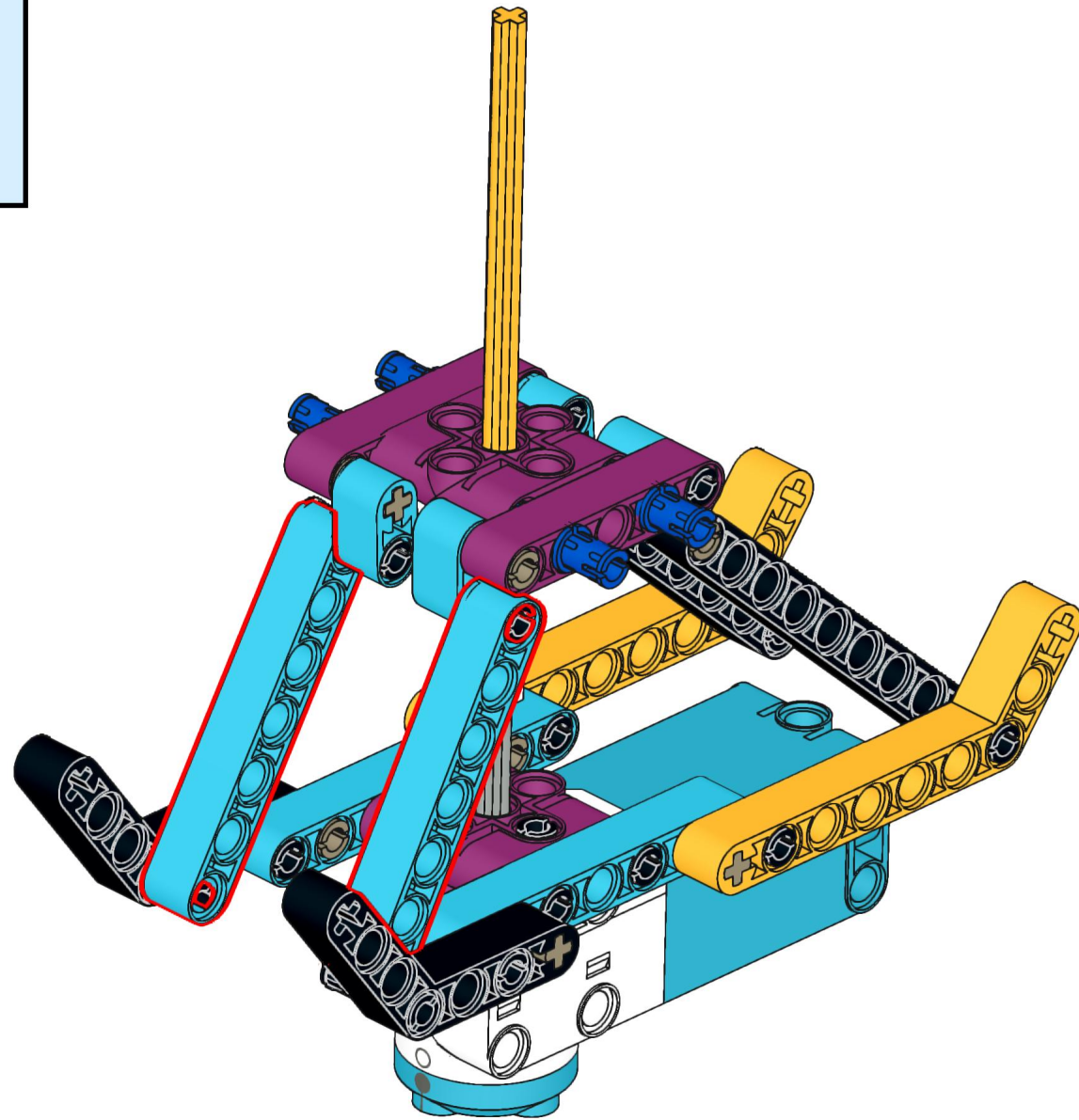
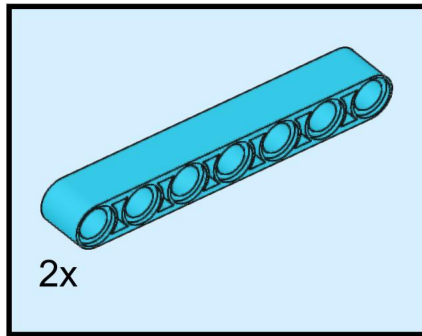
21



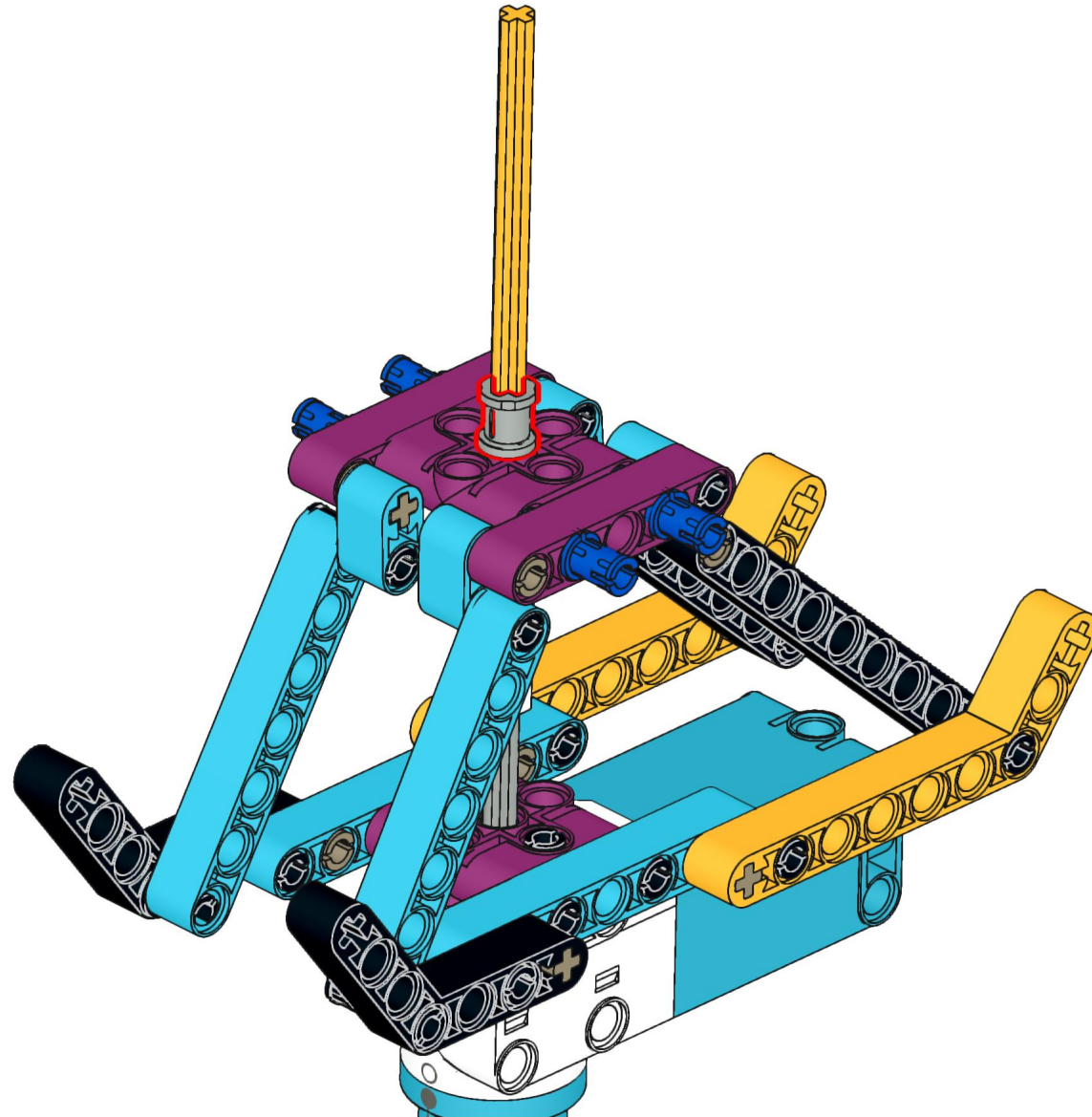
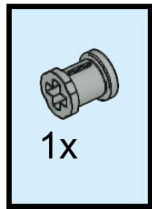
22



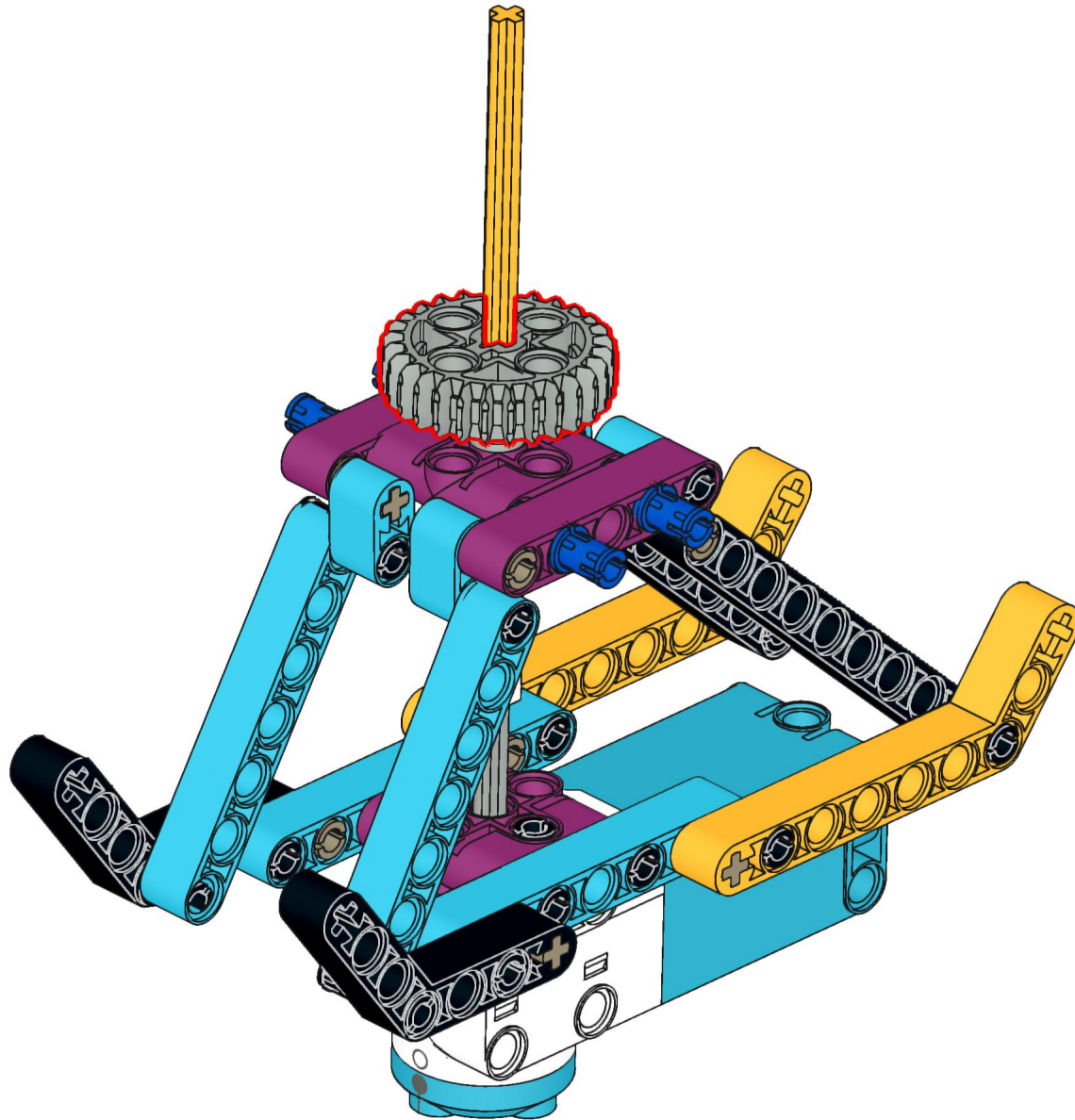
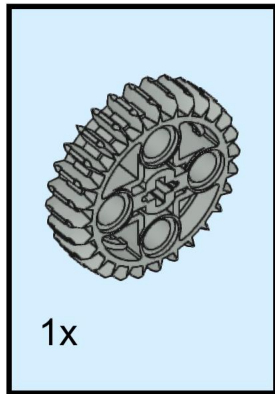
23



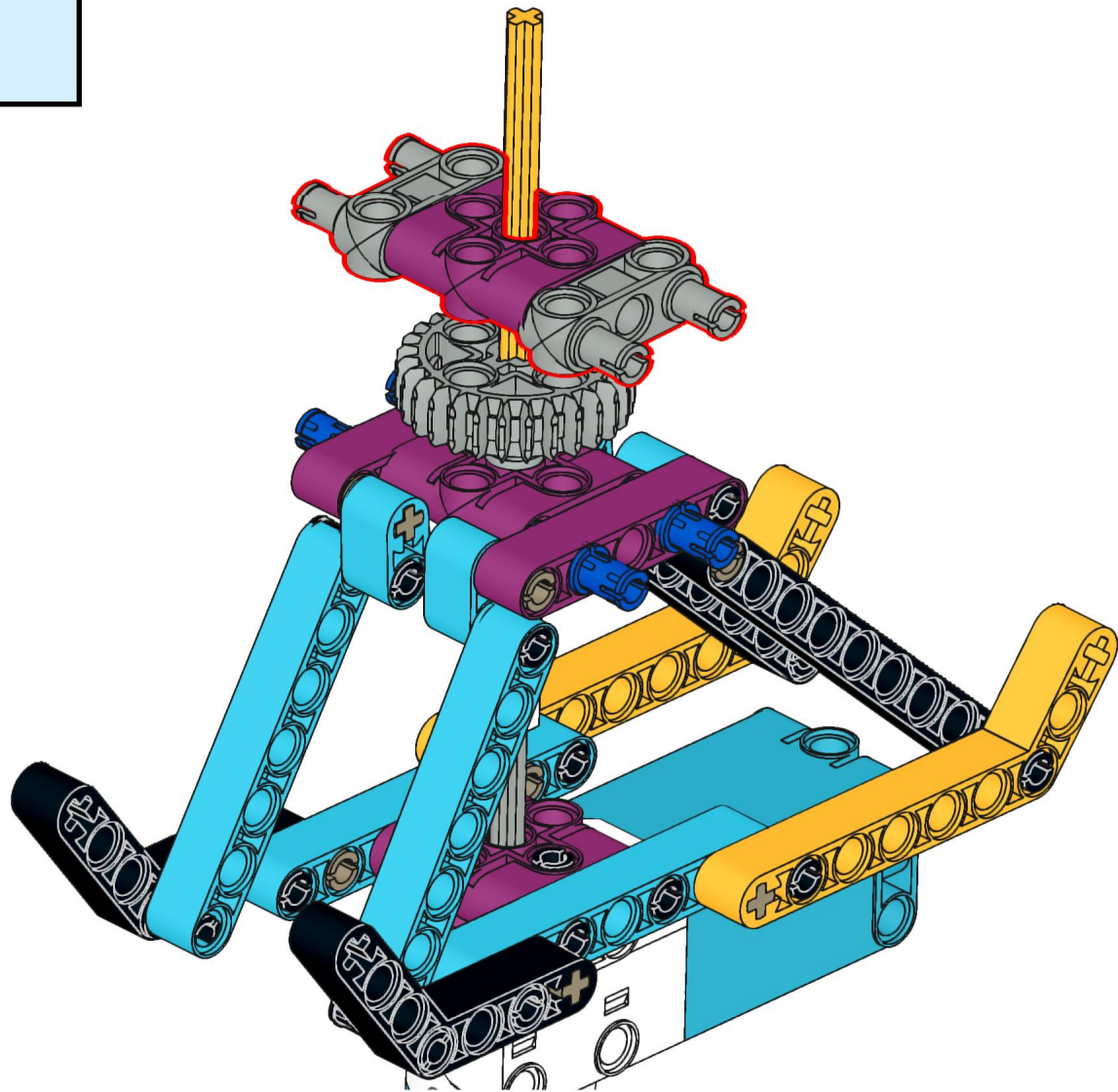
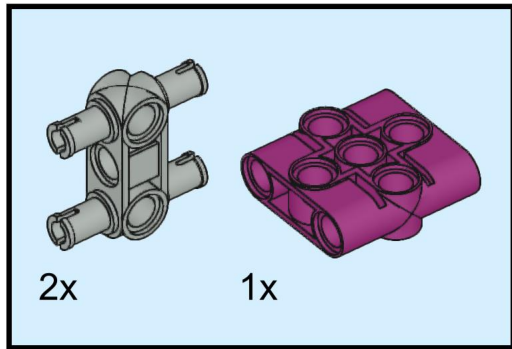
24



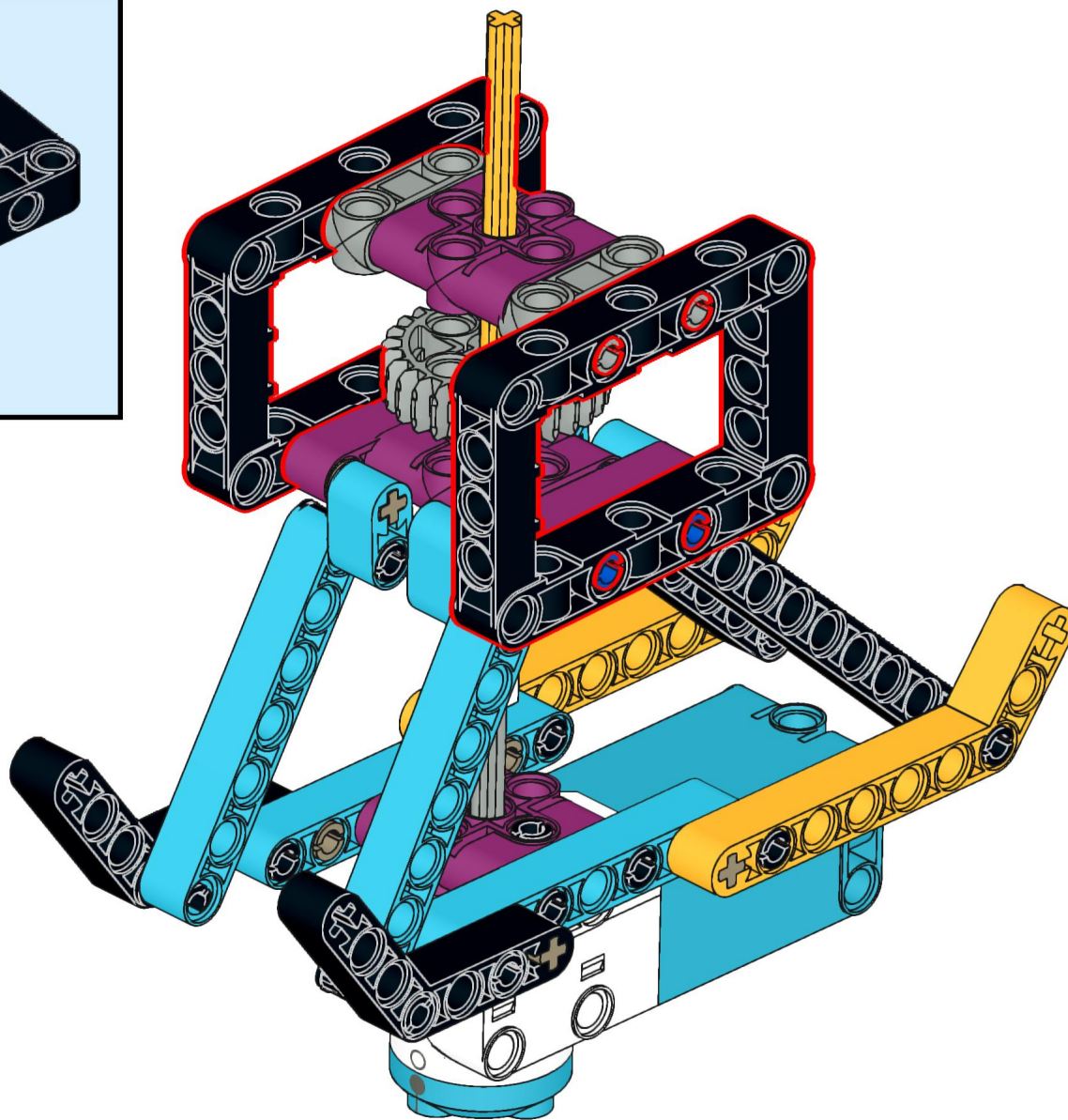
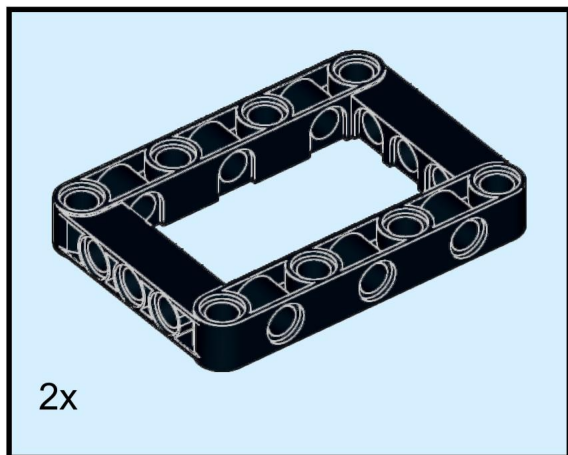
25



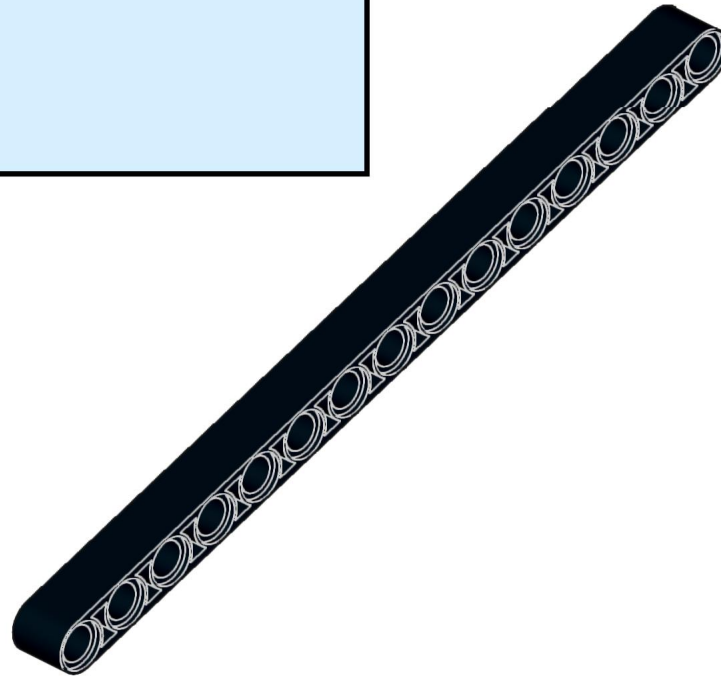
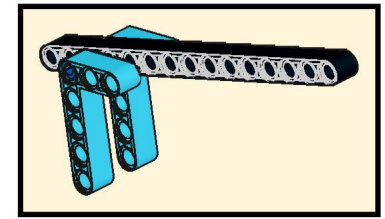
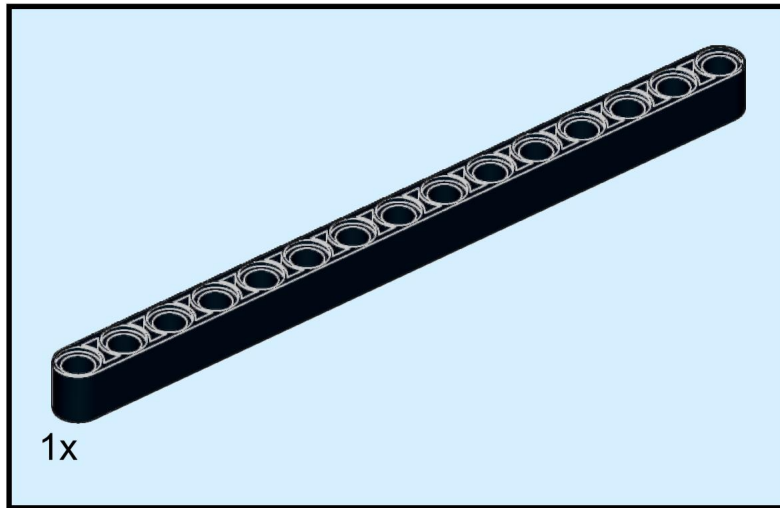
26



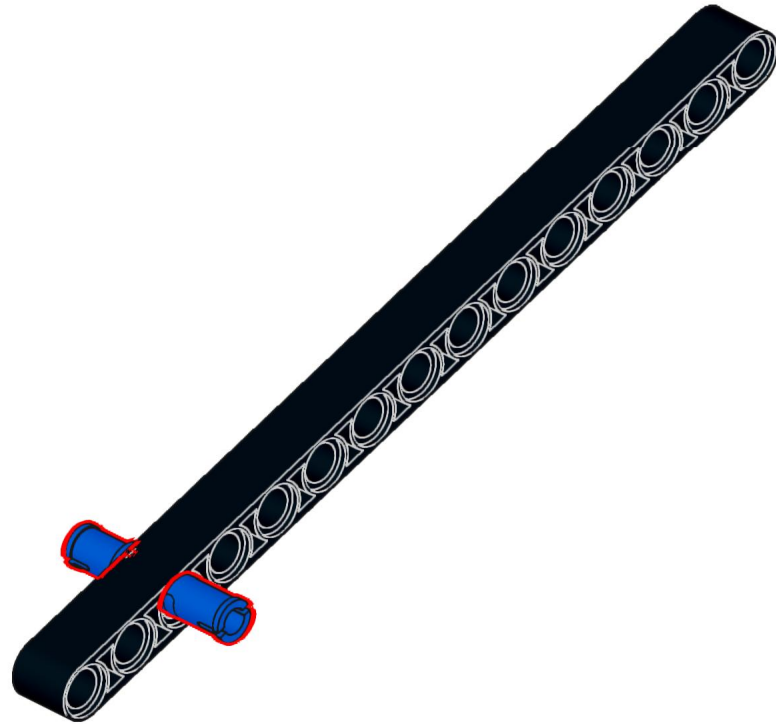
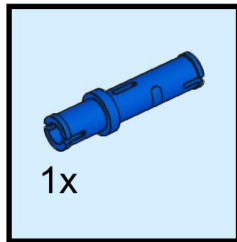
27



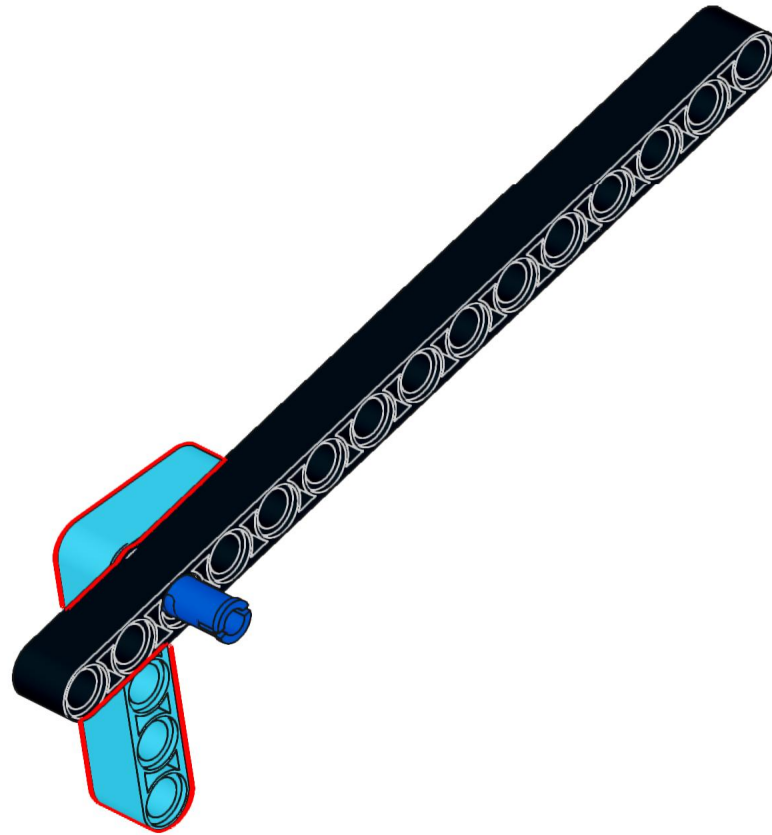
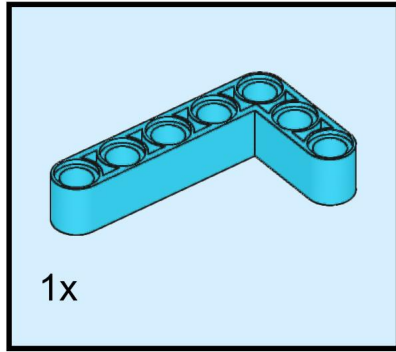
28



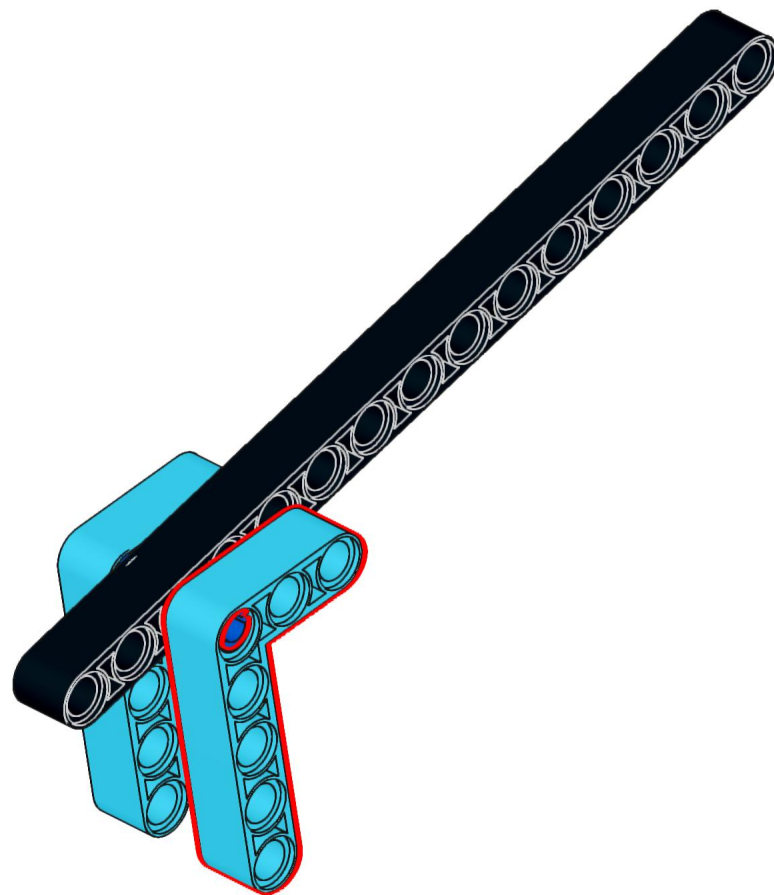
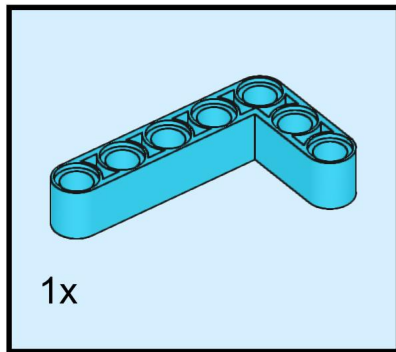
29



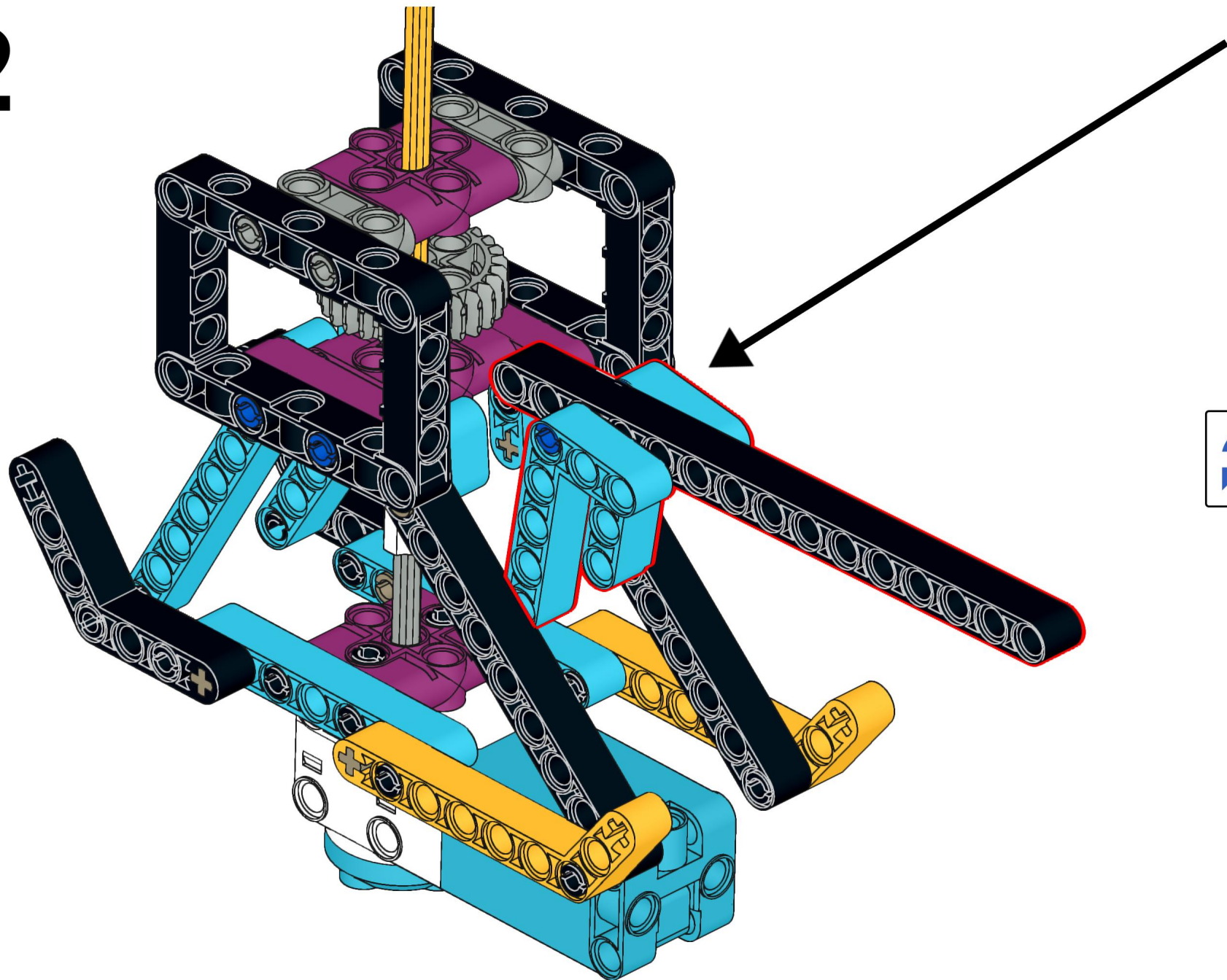
30



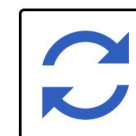
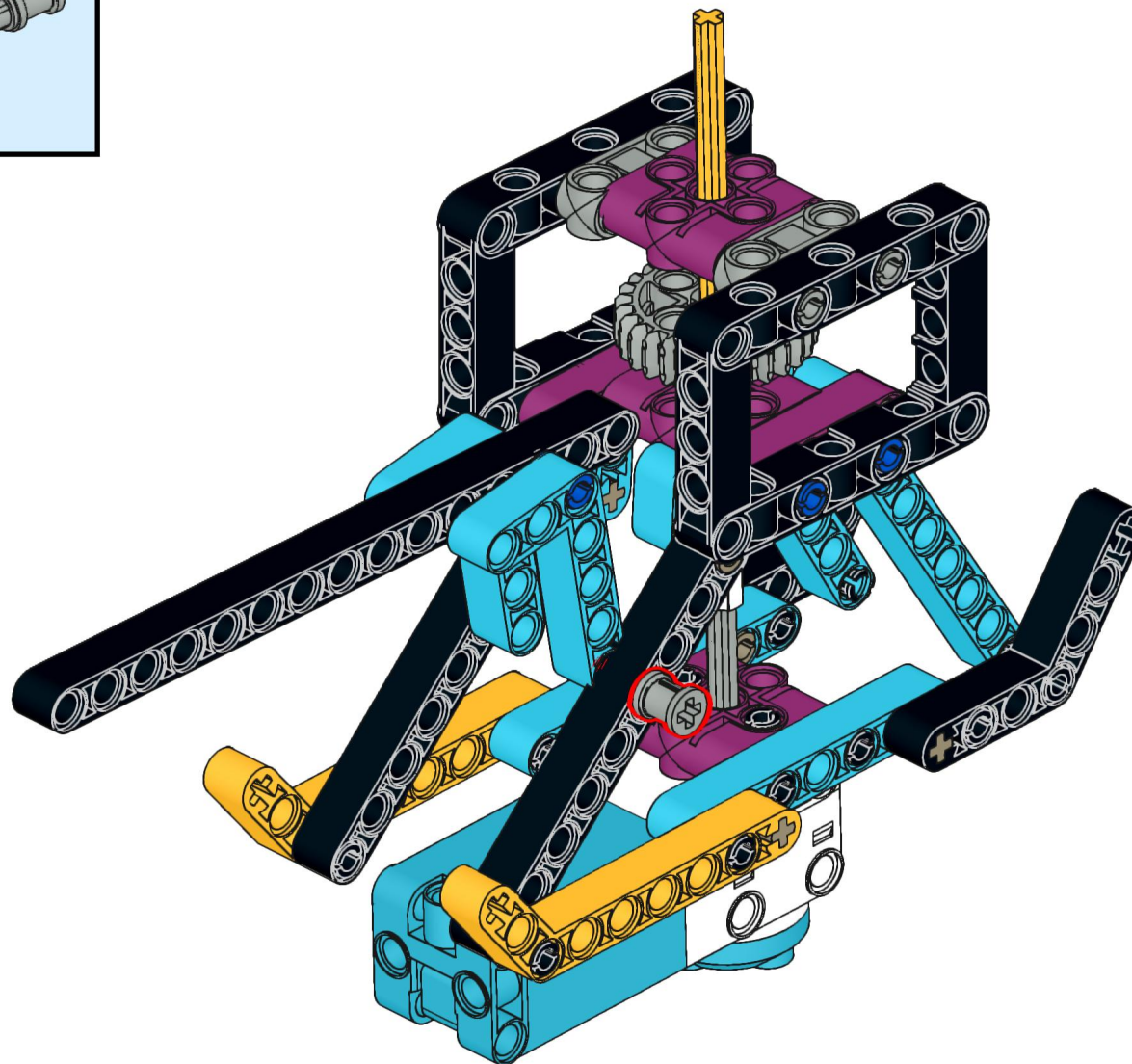
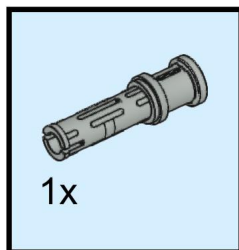
31



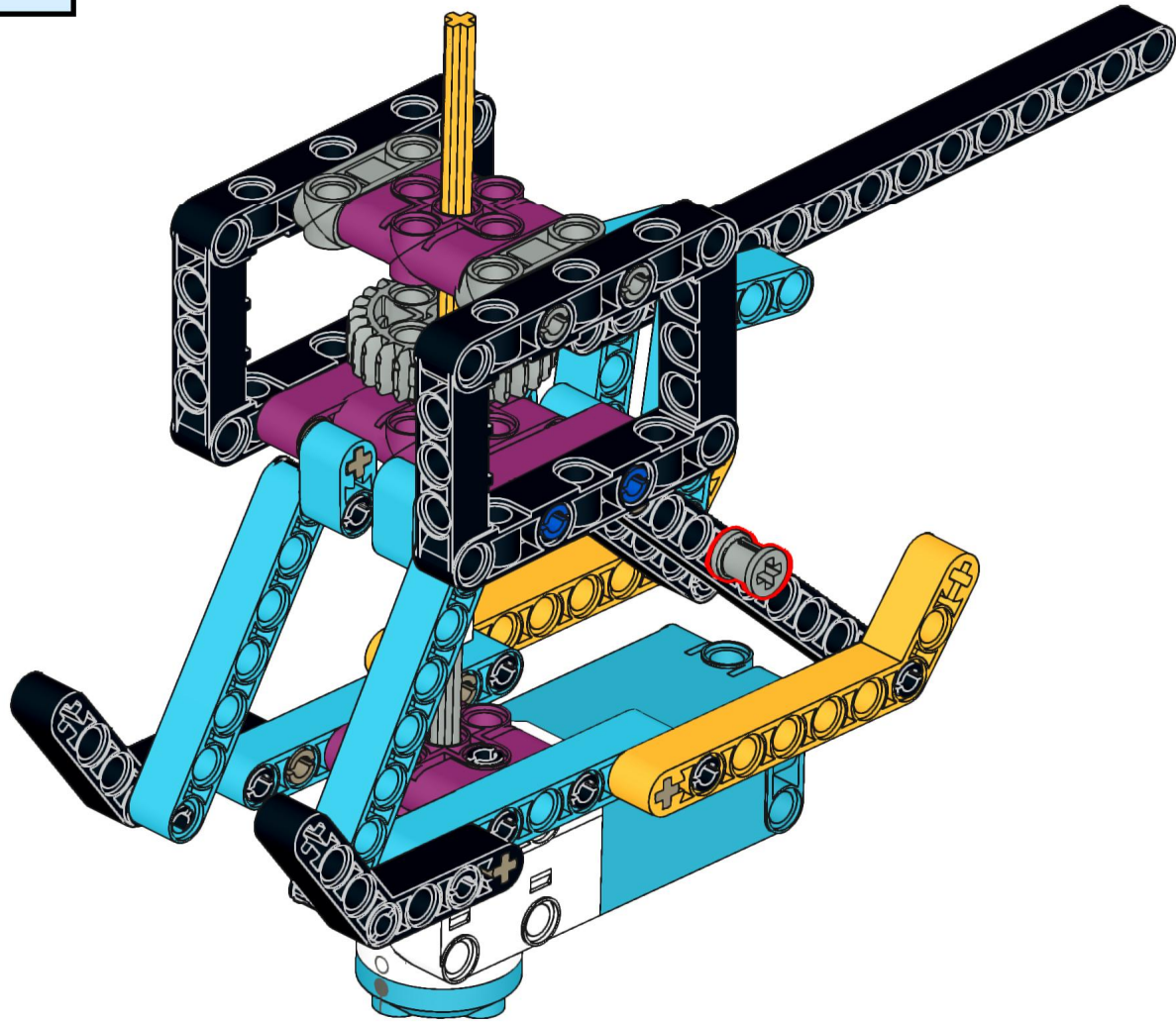
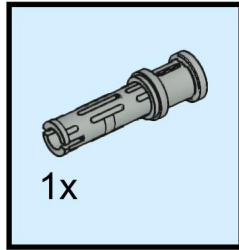
32



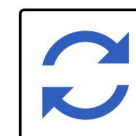
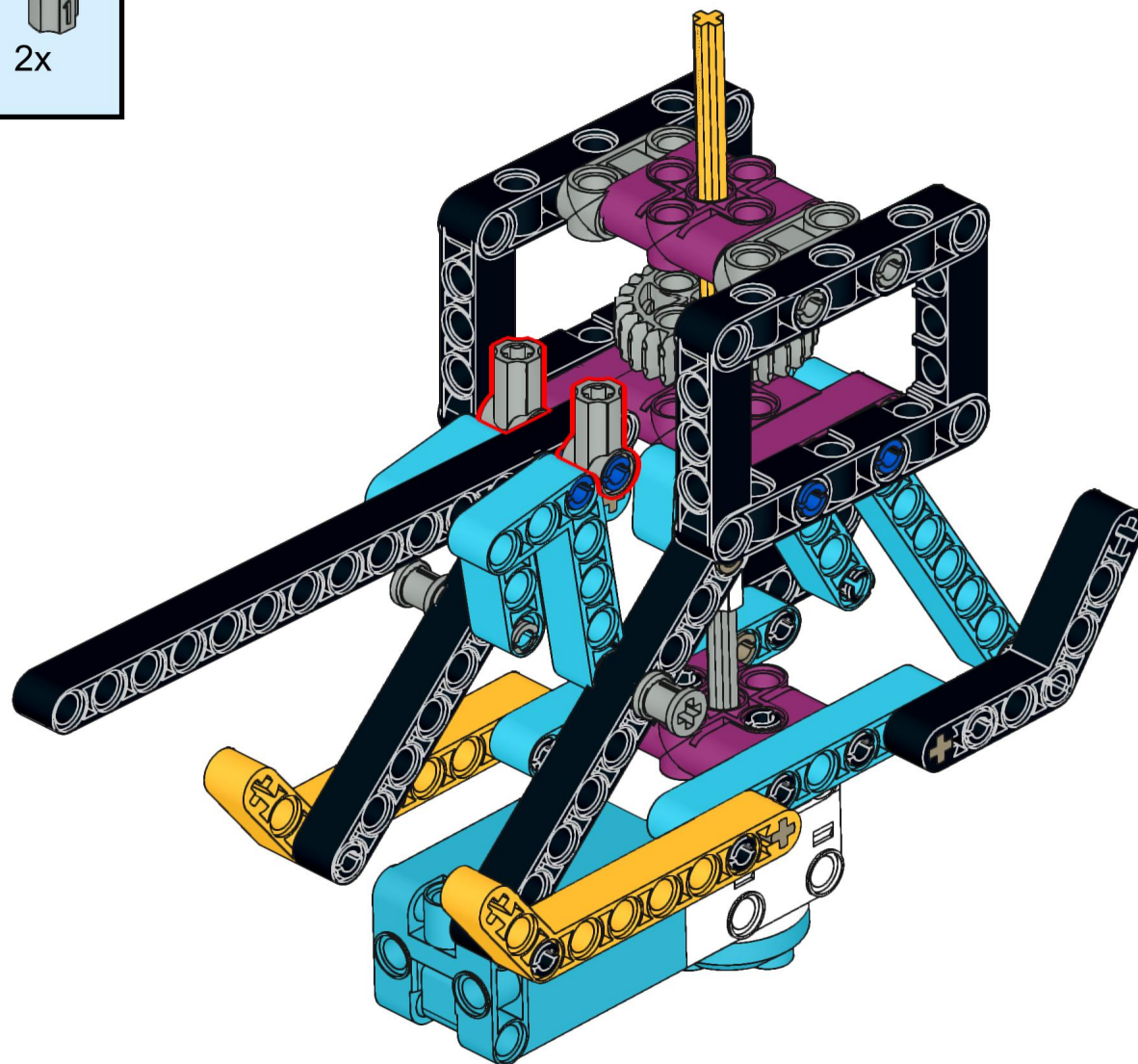
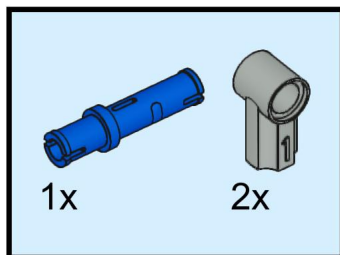
33



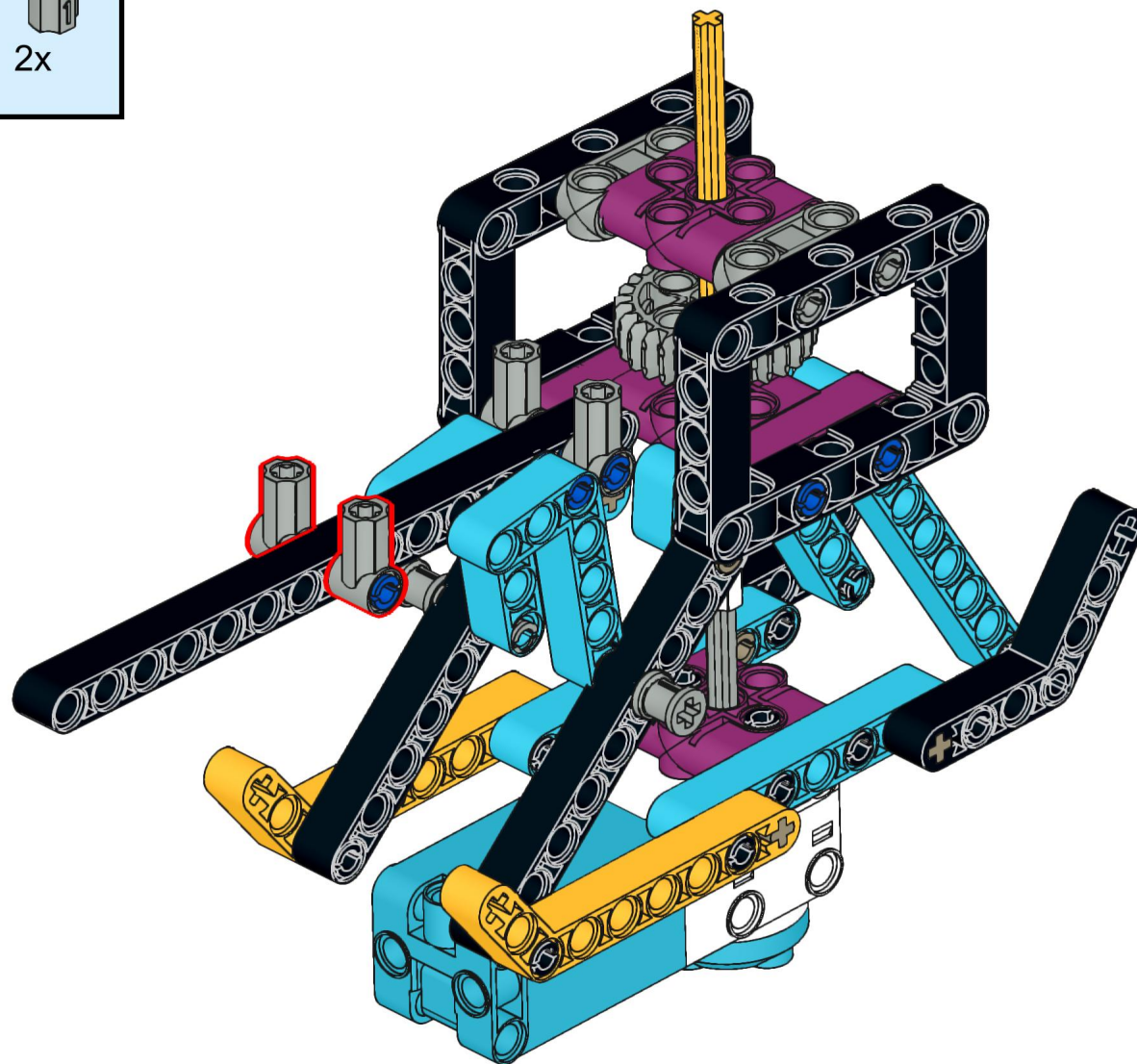
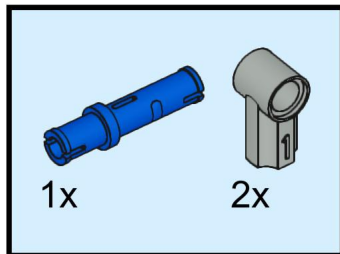
34



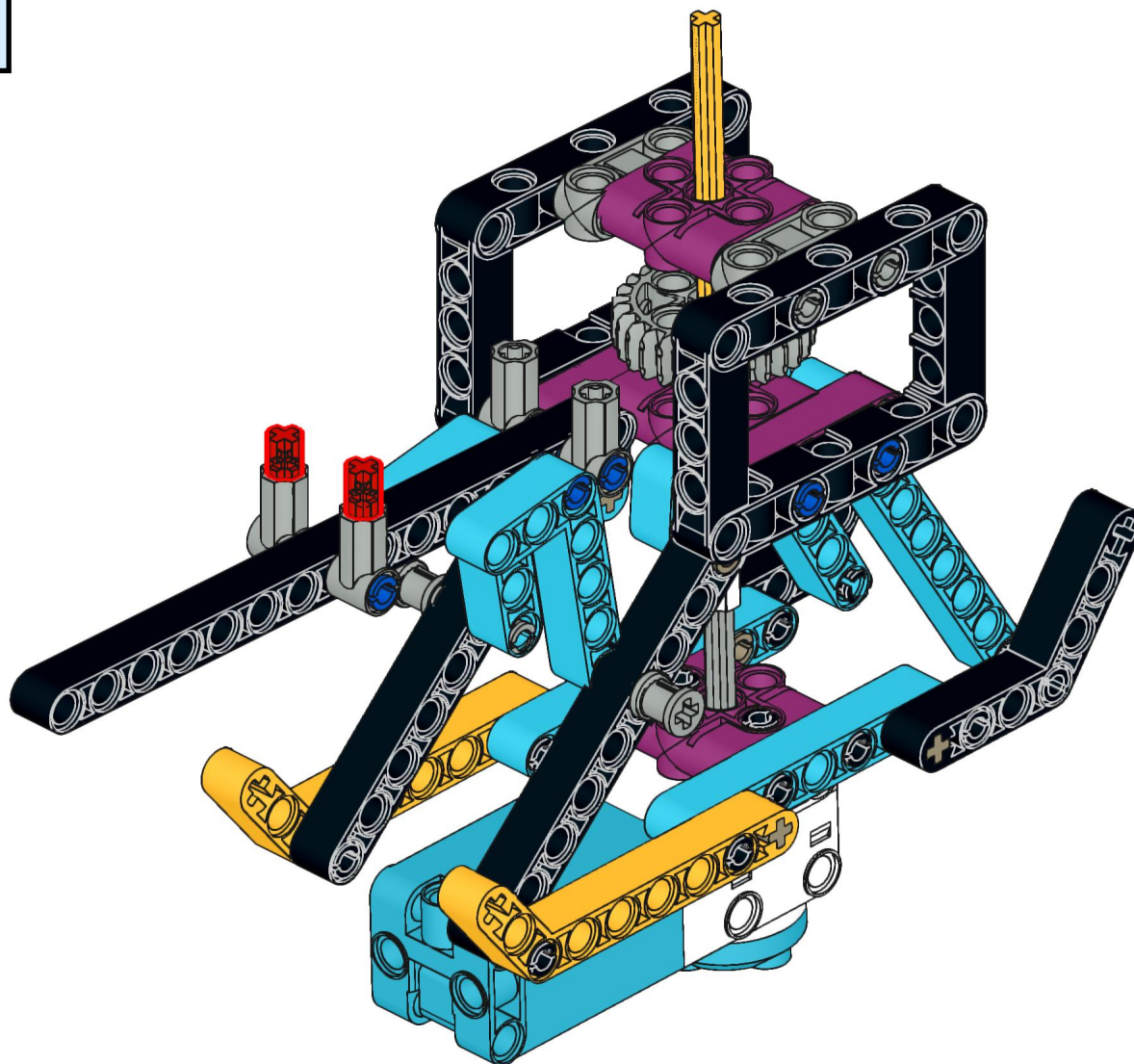
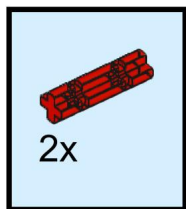
35



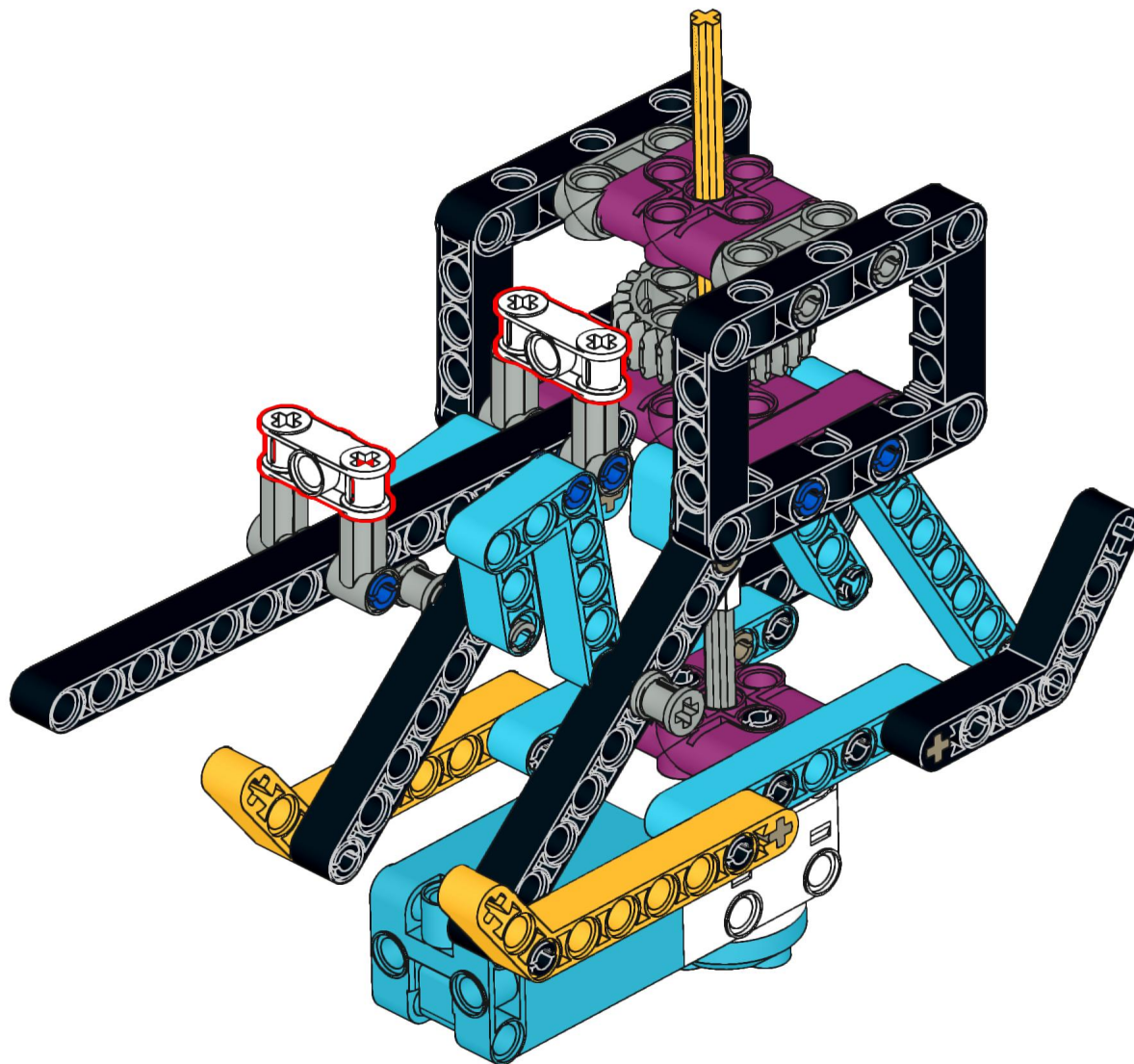
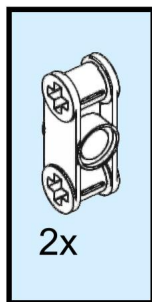
36



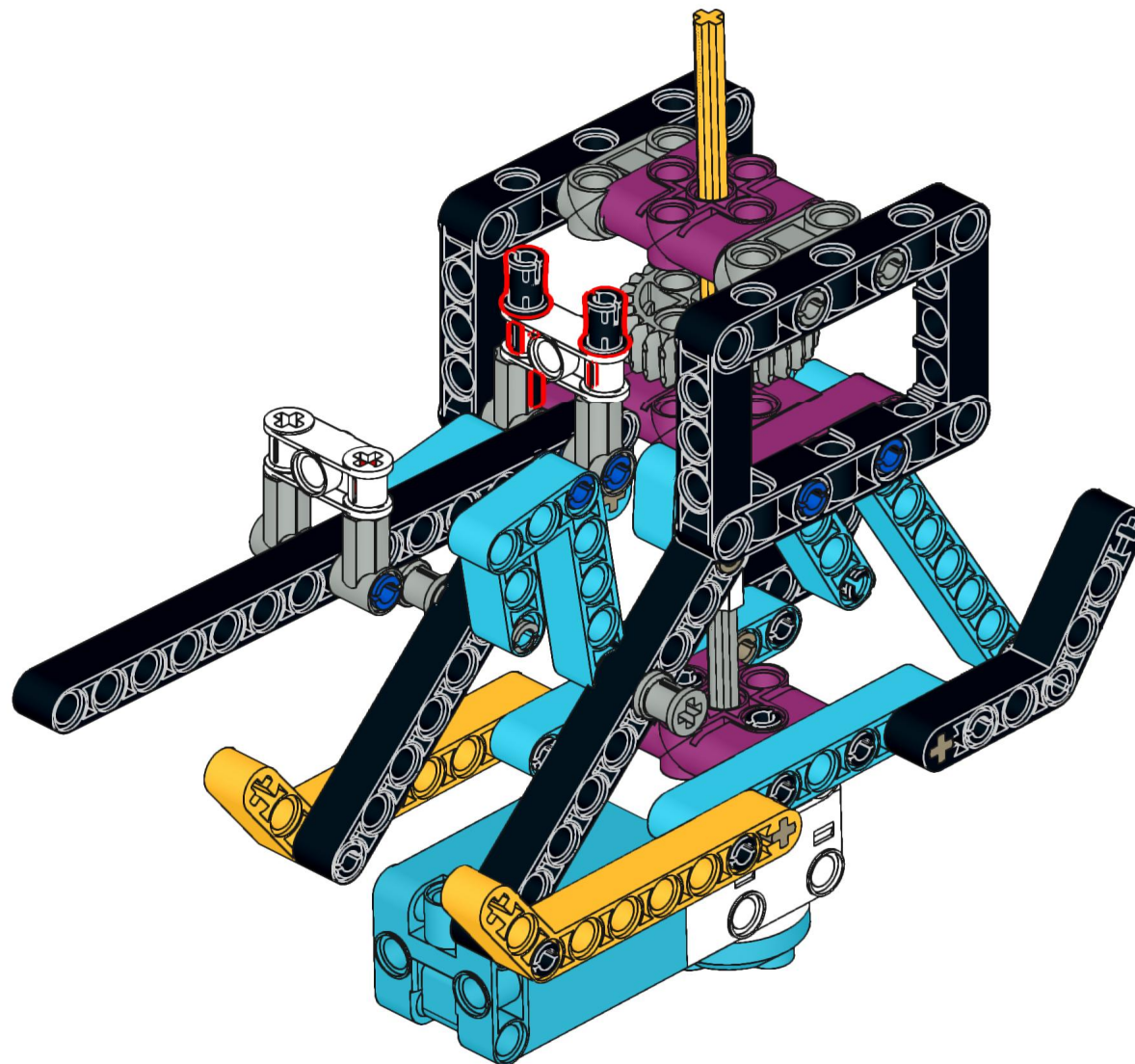
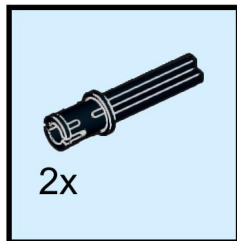
37



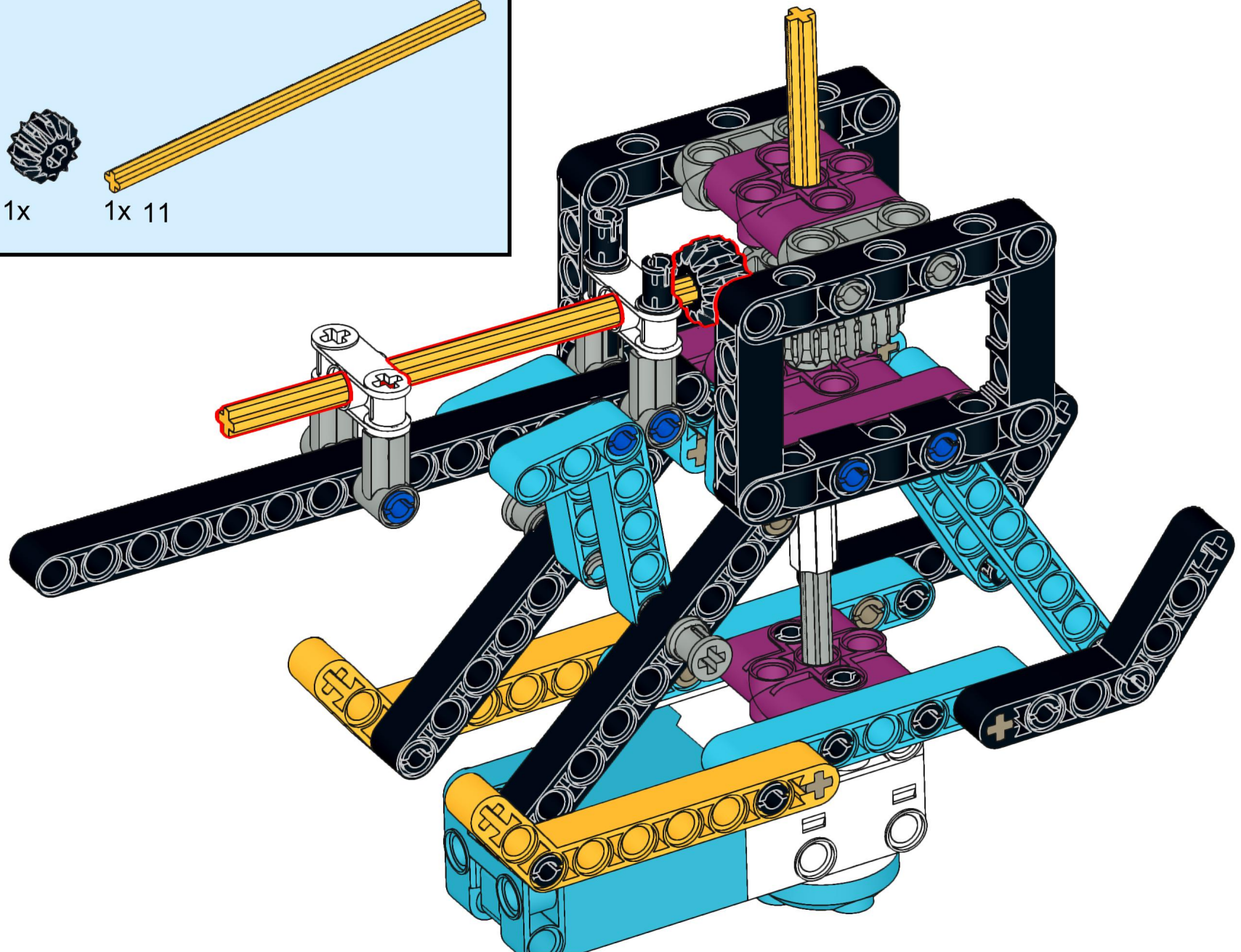
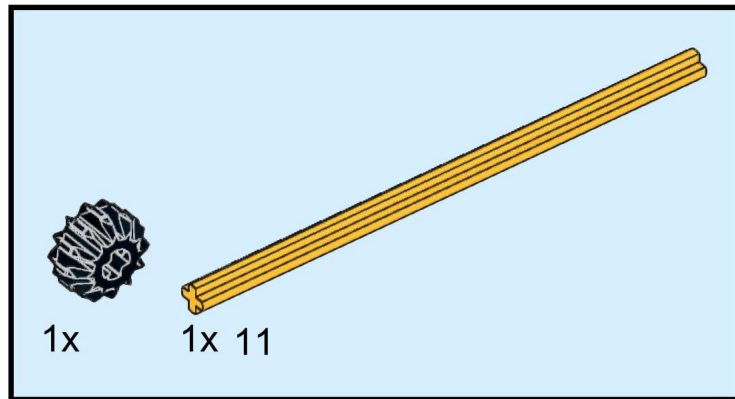
38



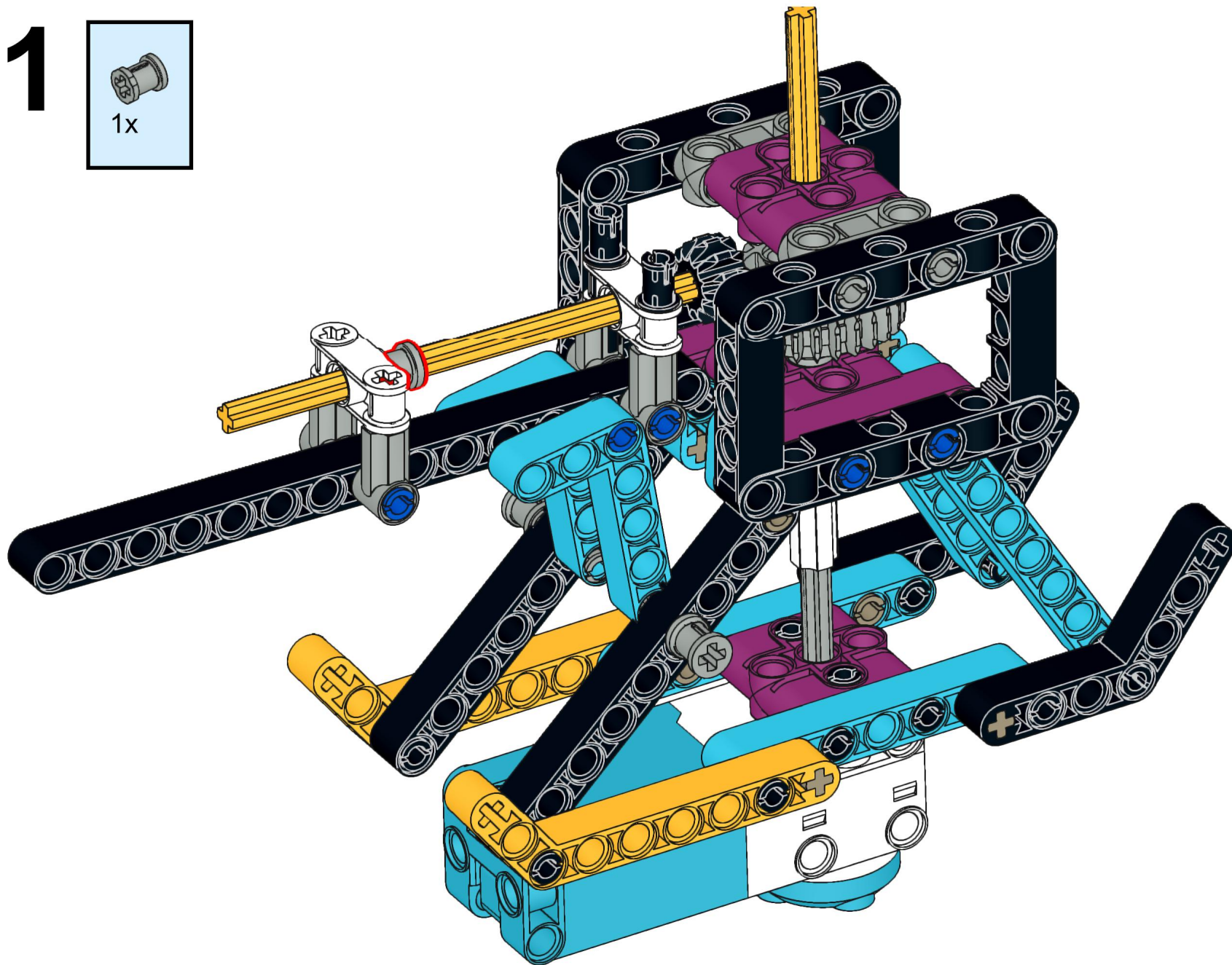
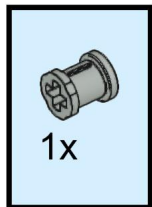
39



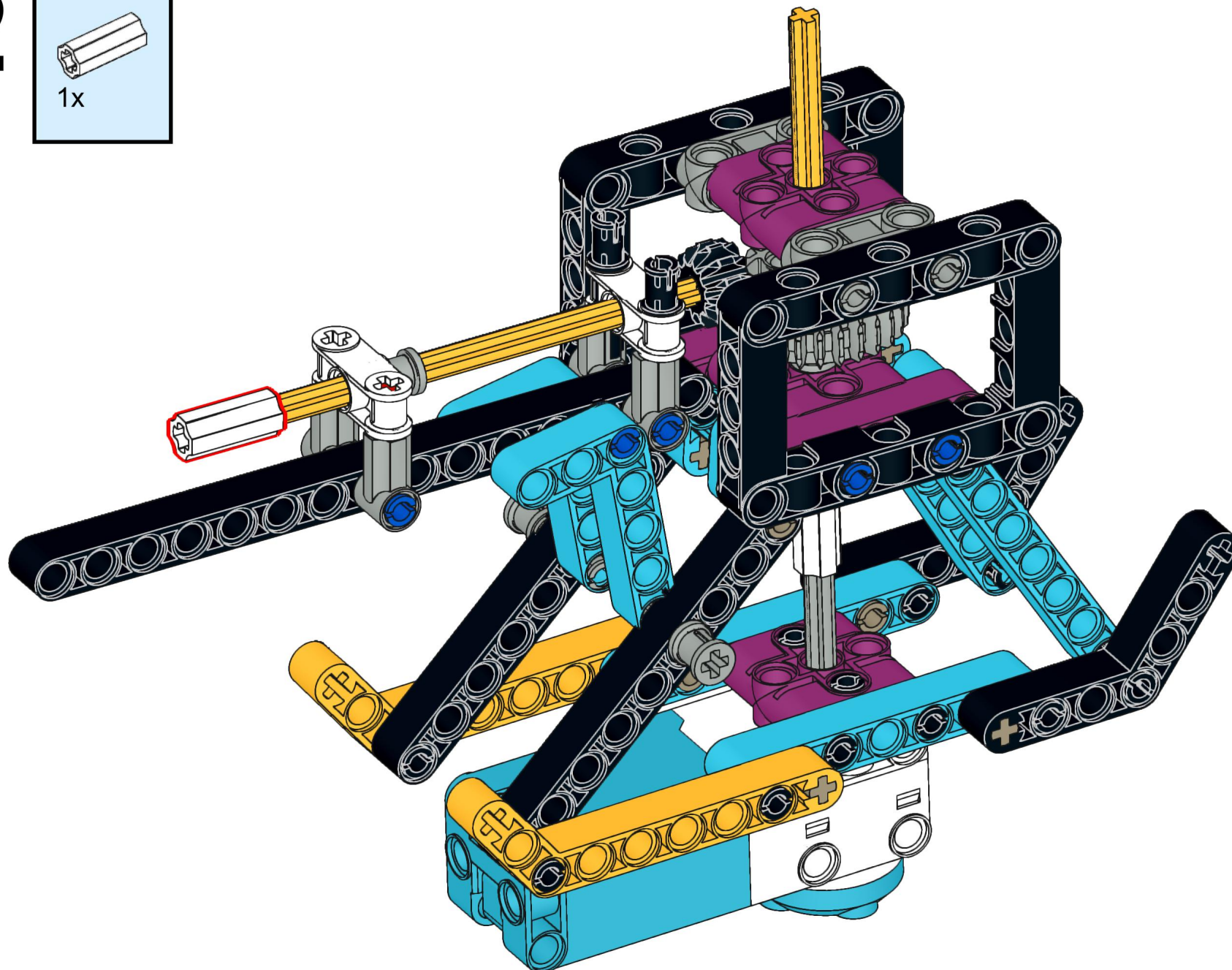
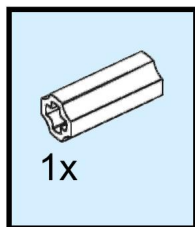
40



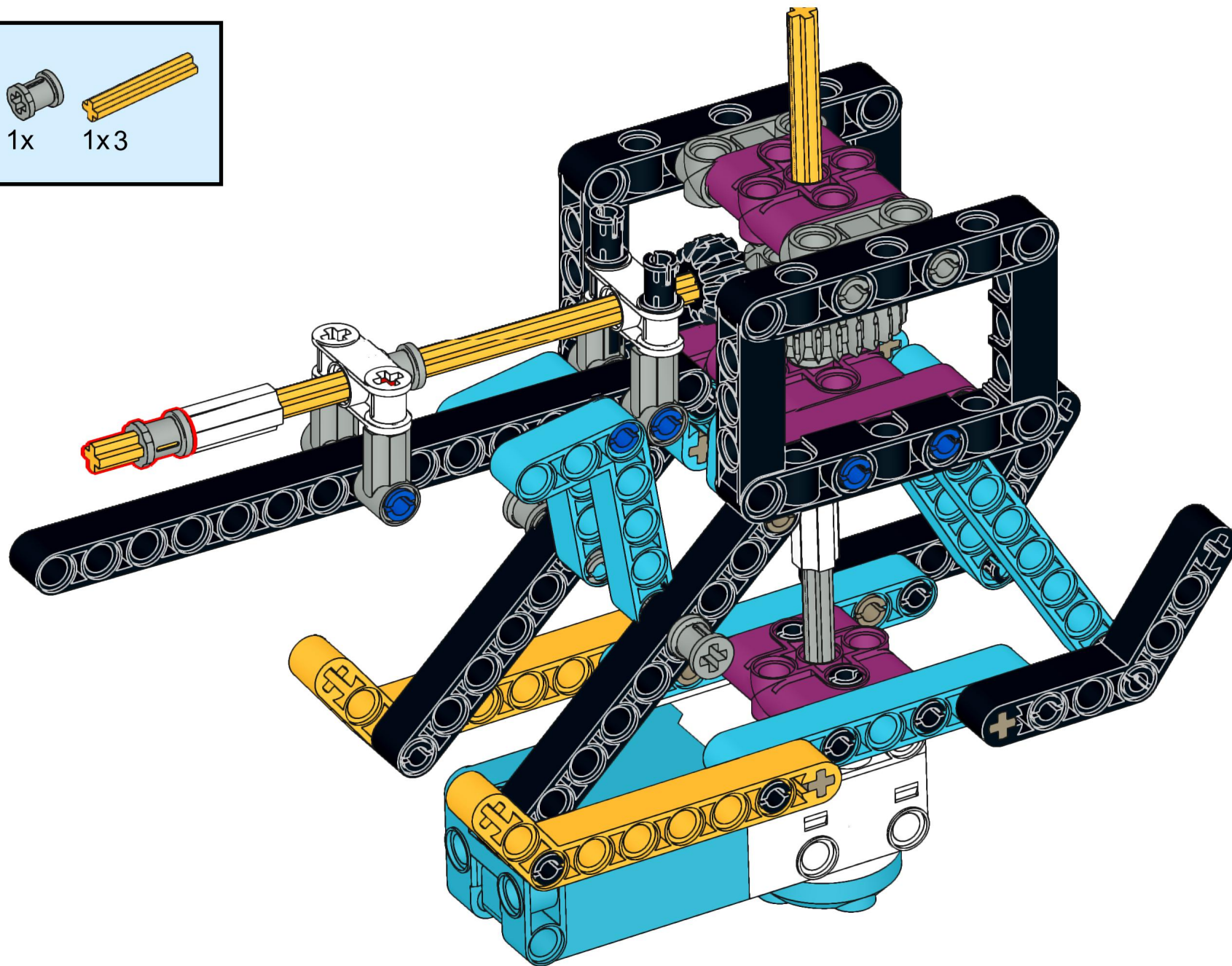
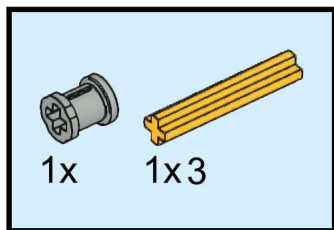
41



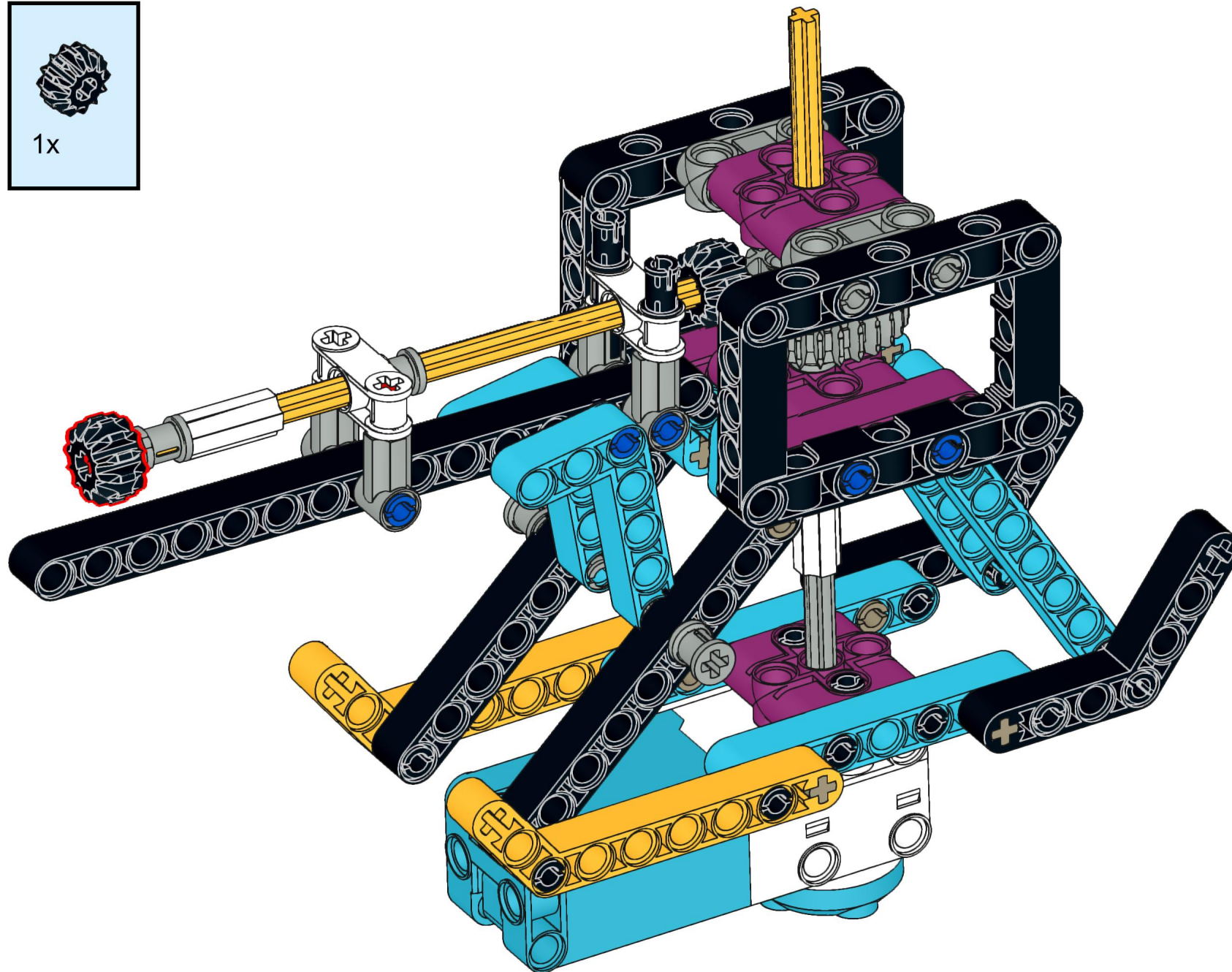
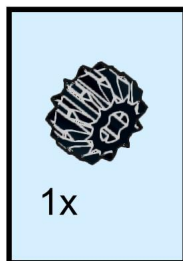
42



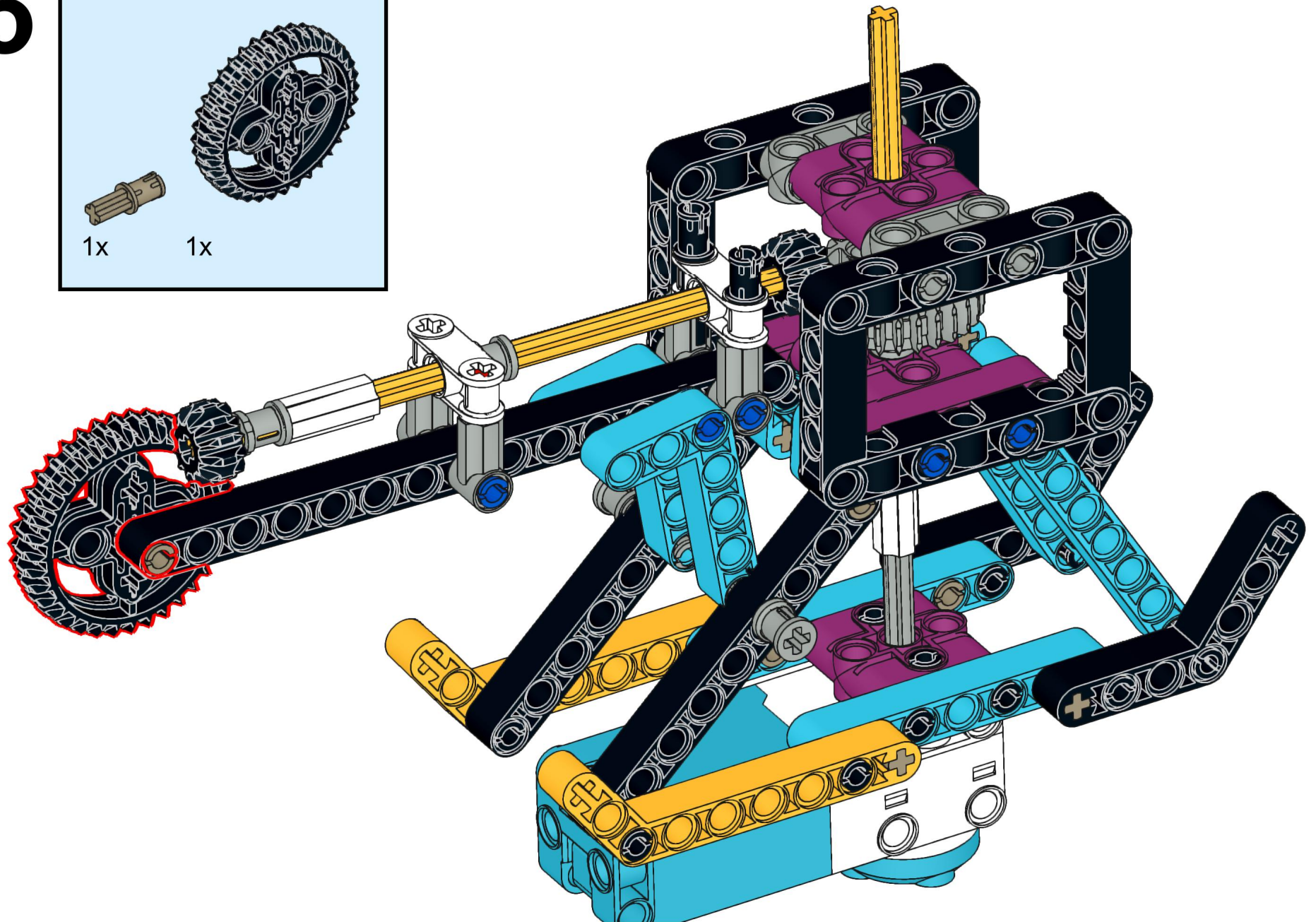
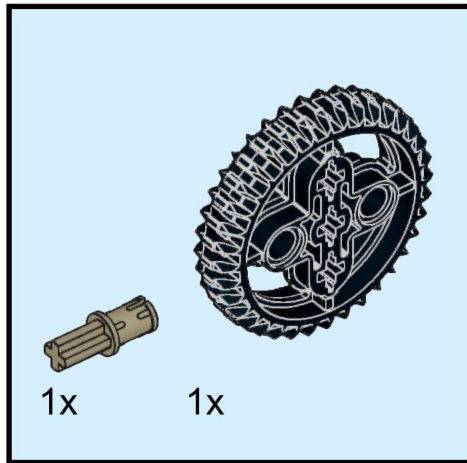
43



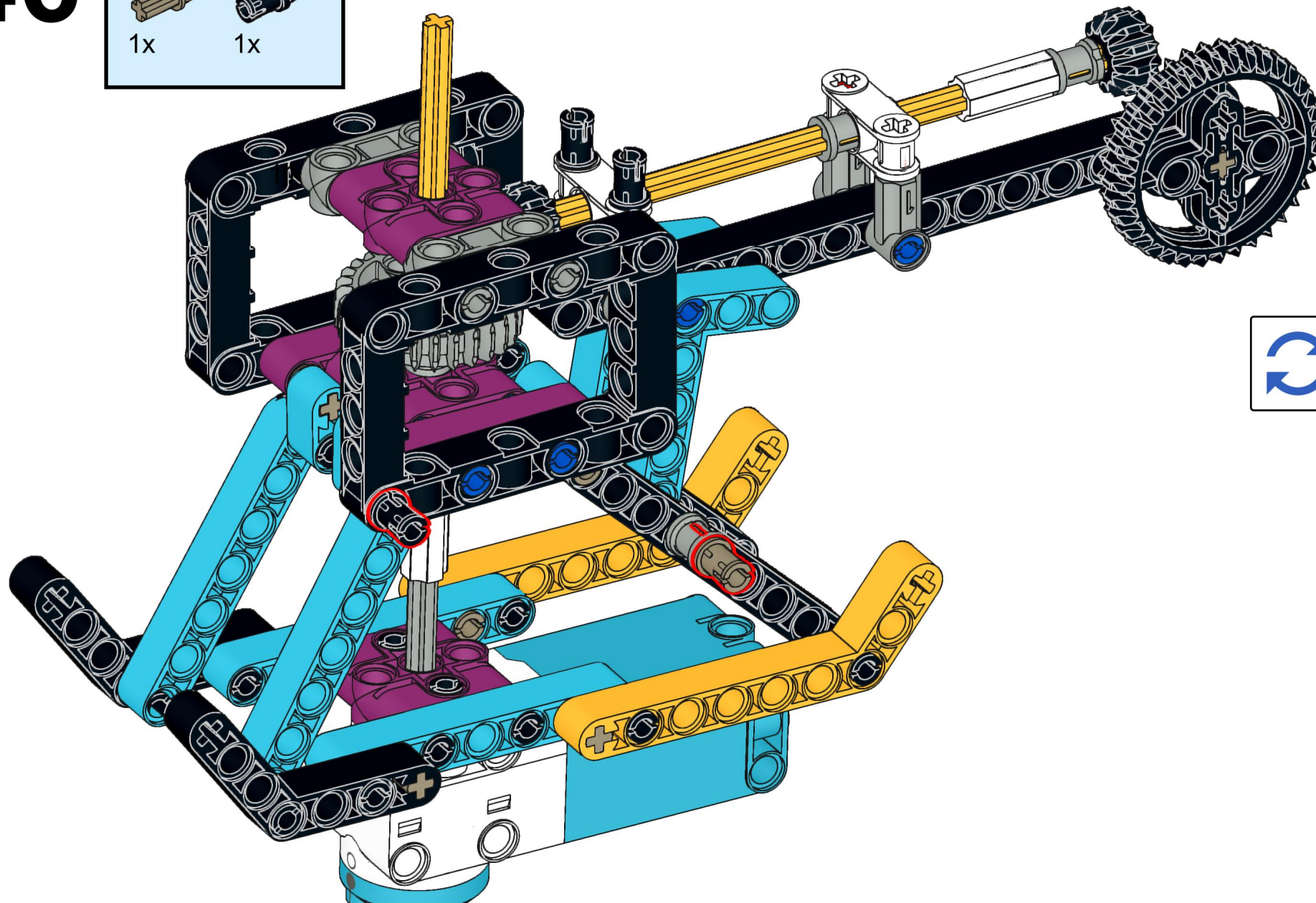
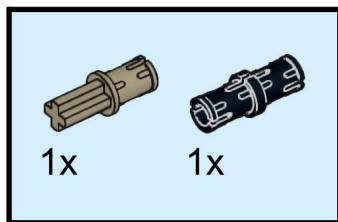
44



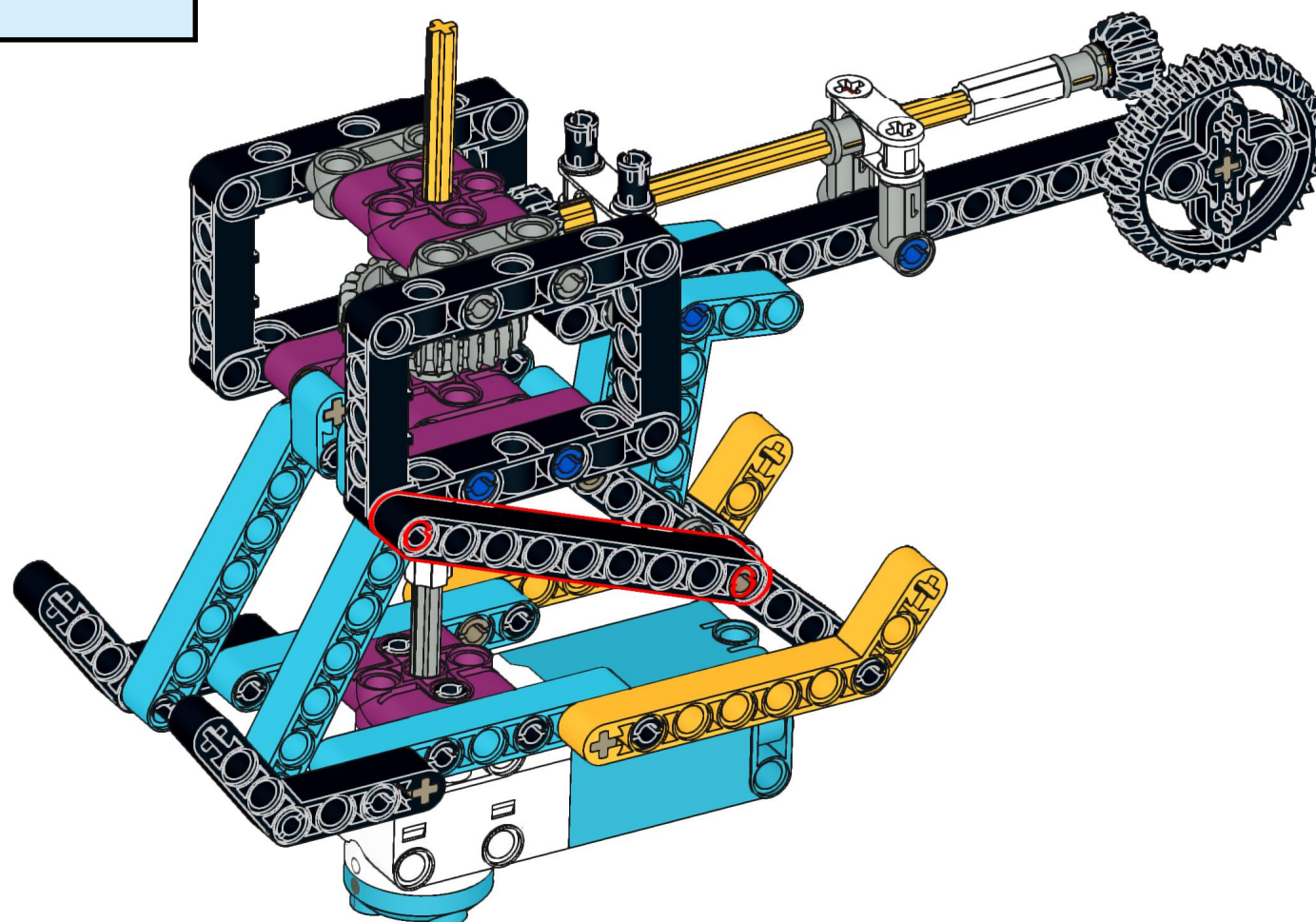
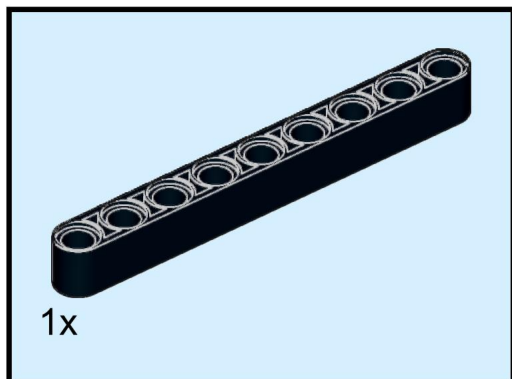
45



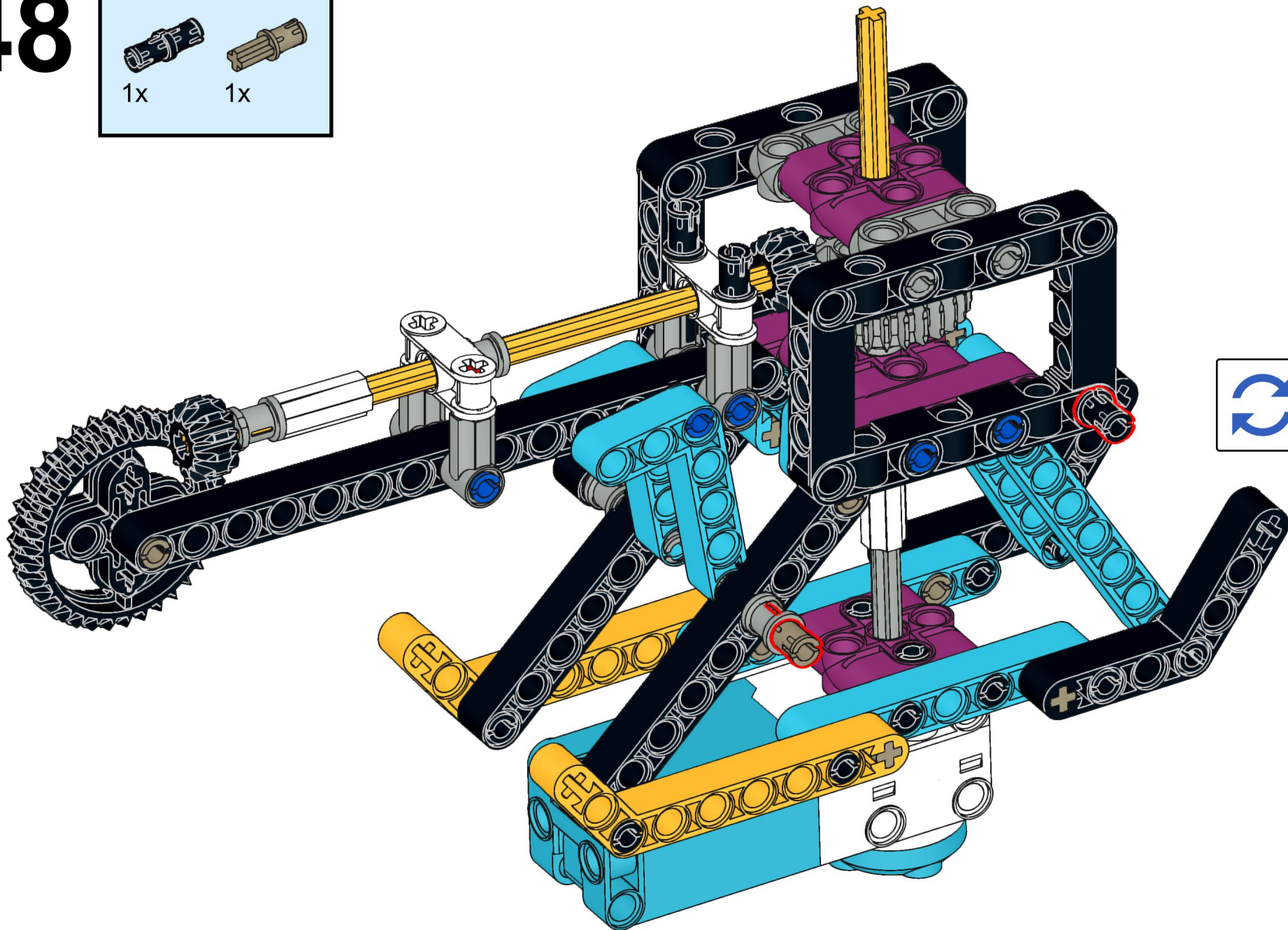
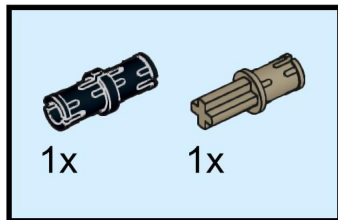
46



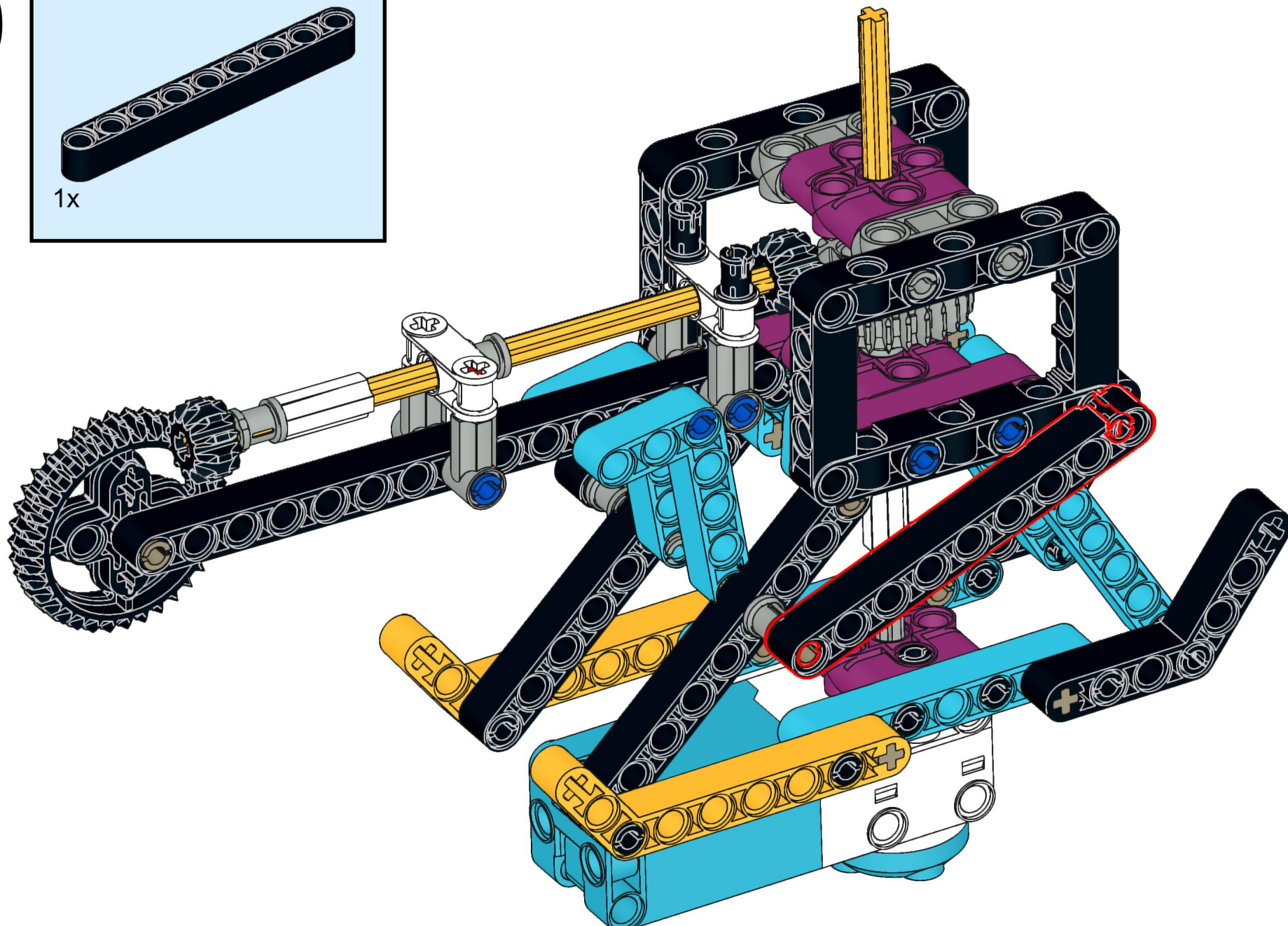
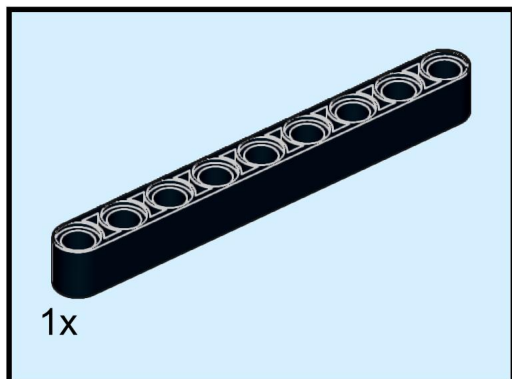
47



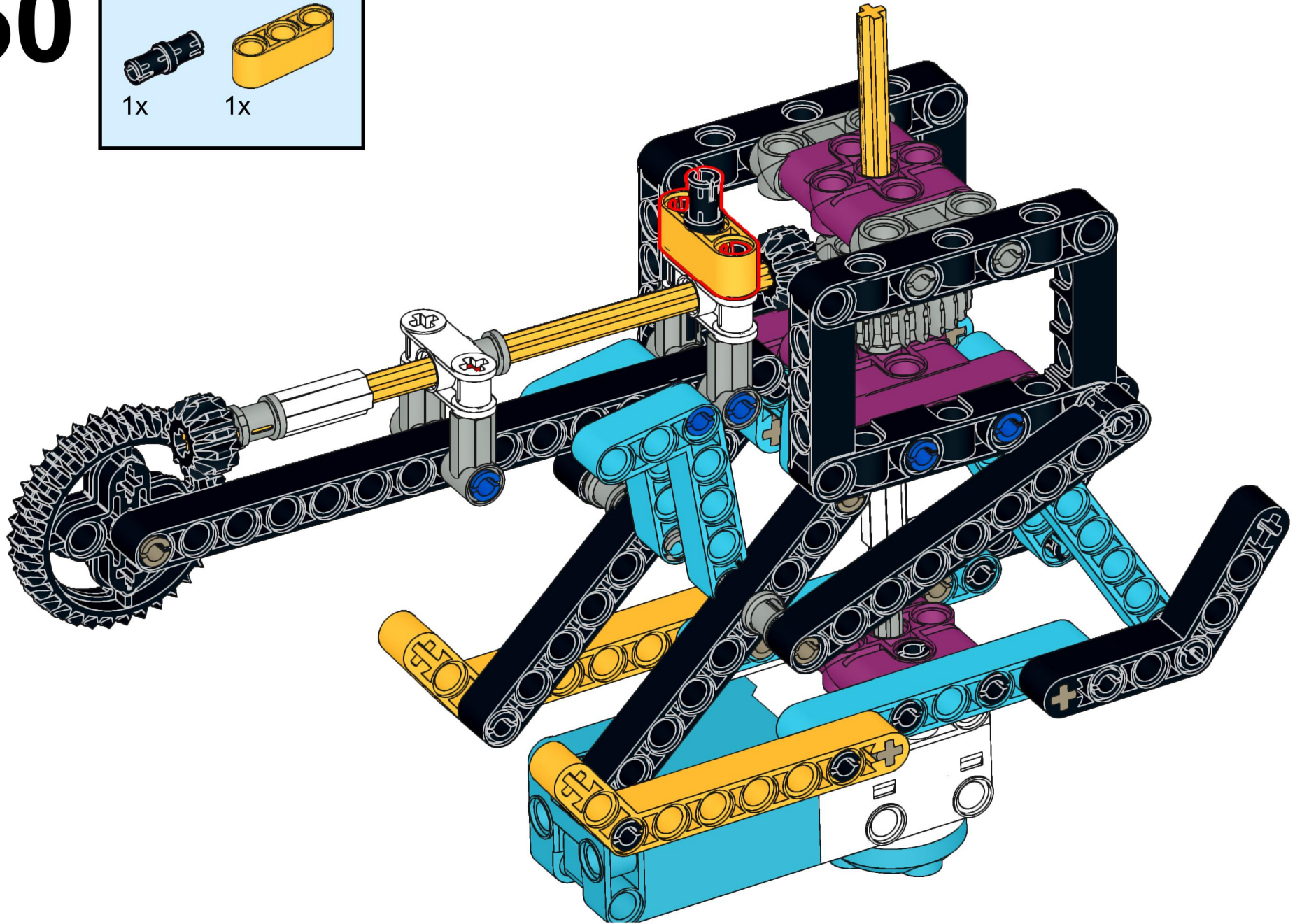
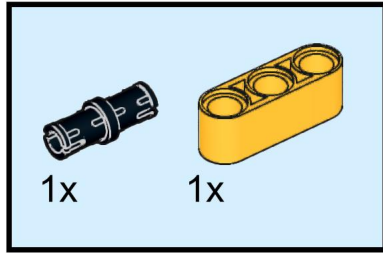
48



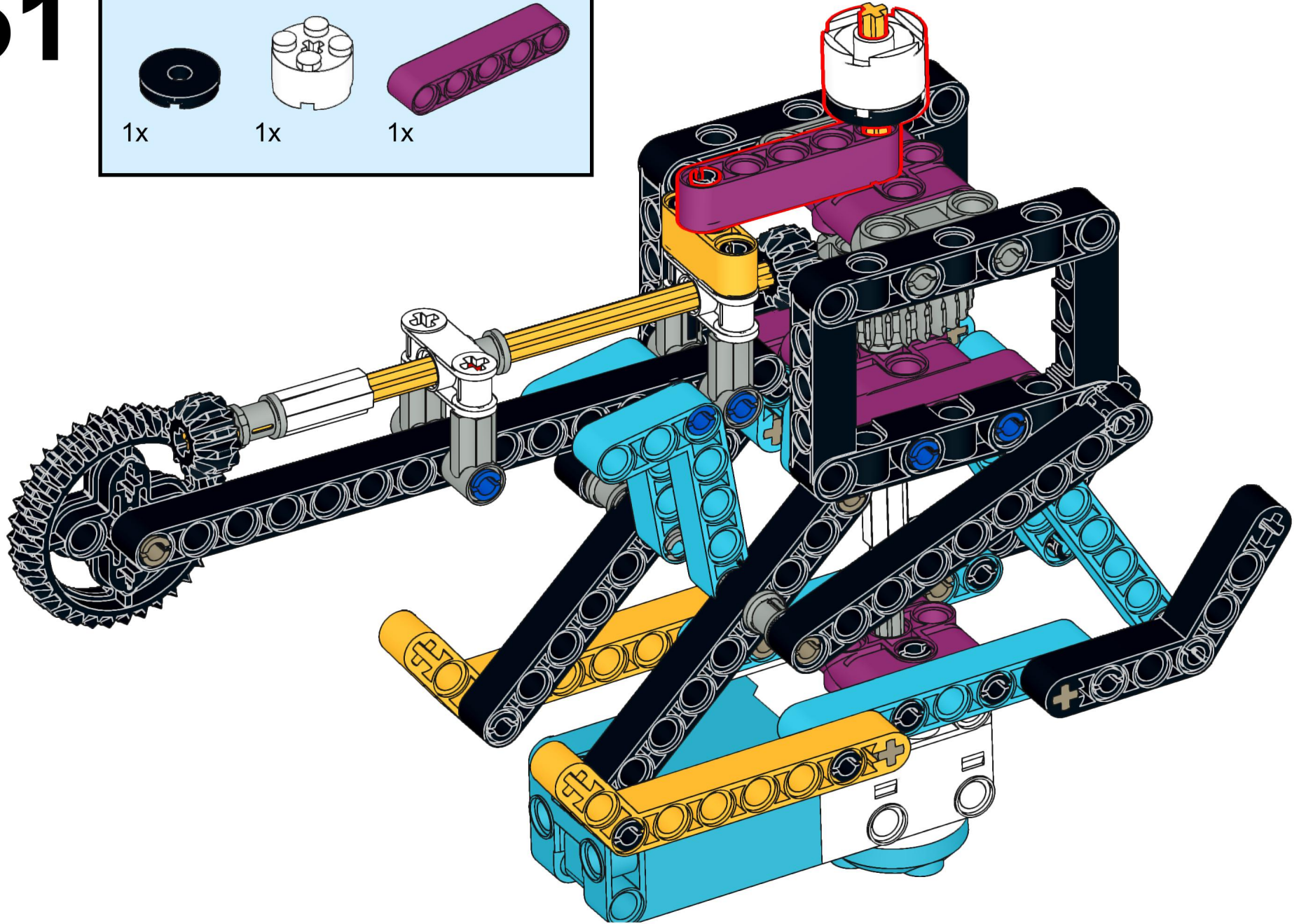
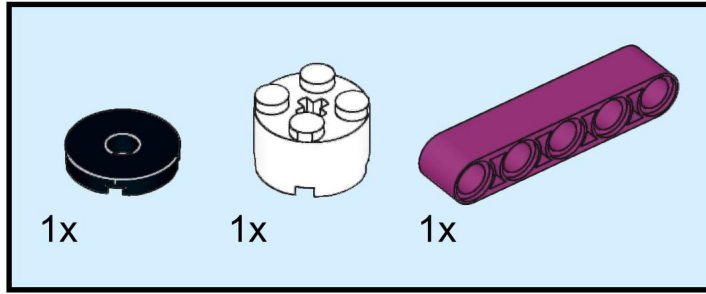
49



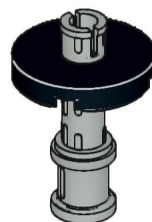
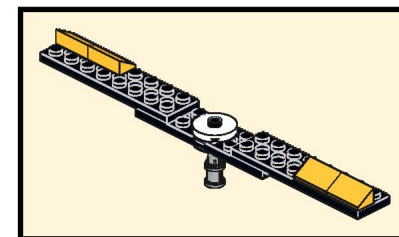
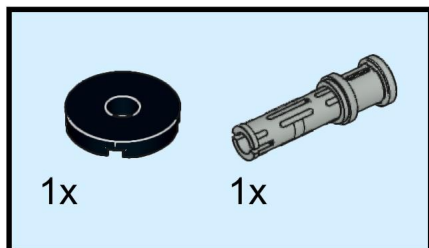
50



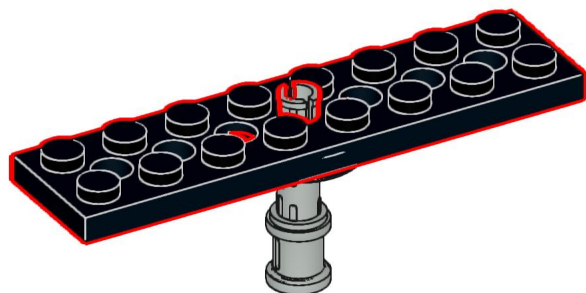
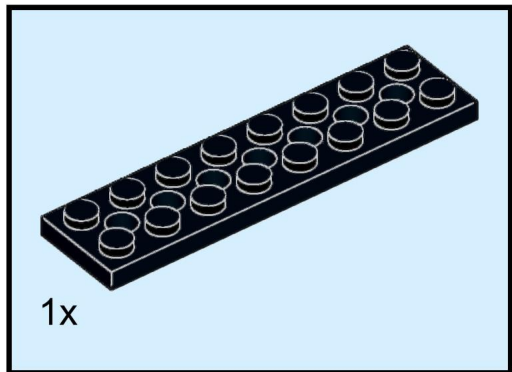
51



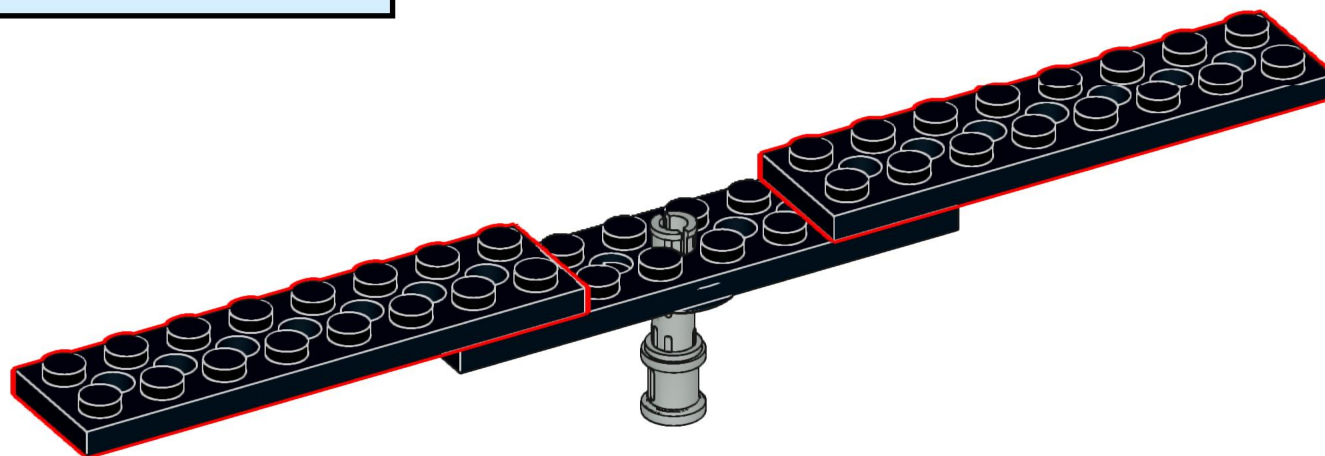
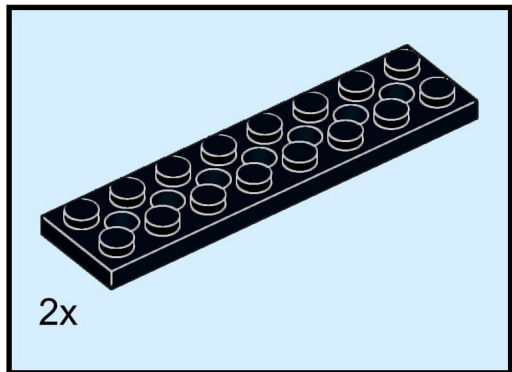
52



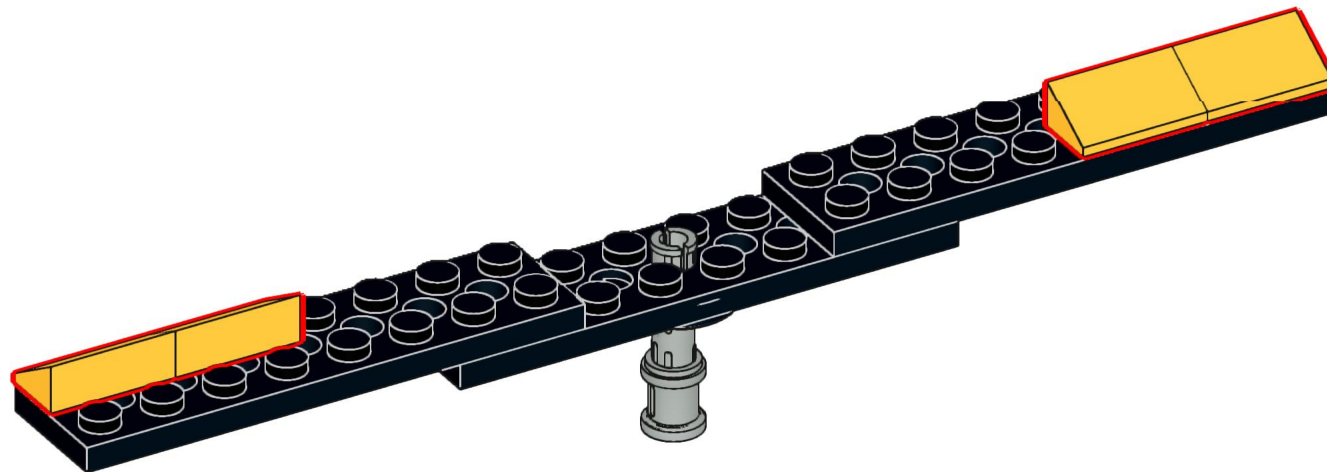
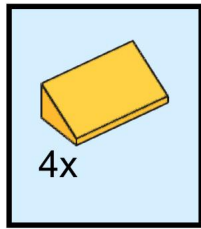
53



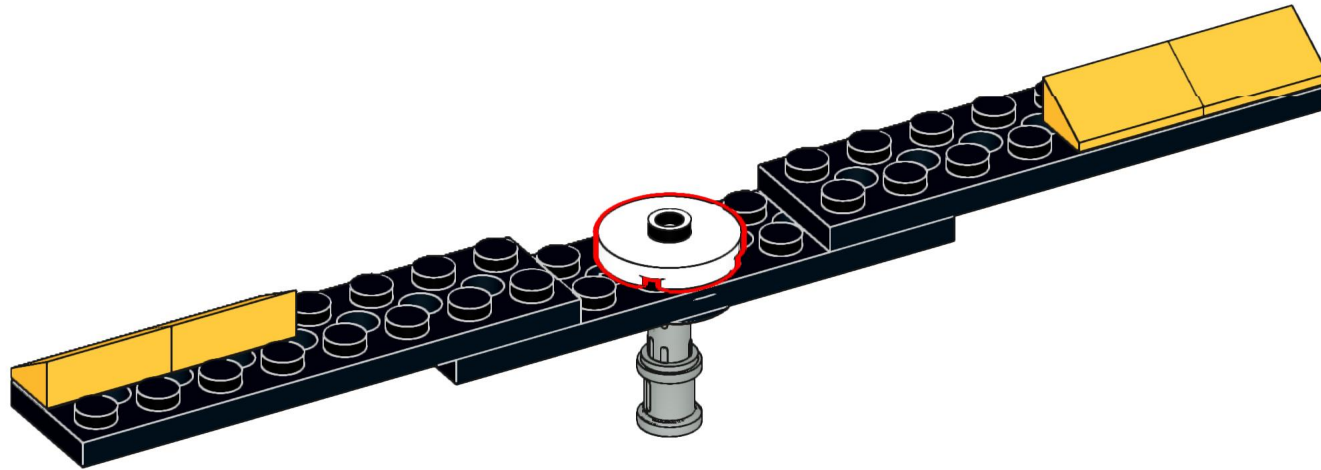
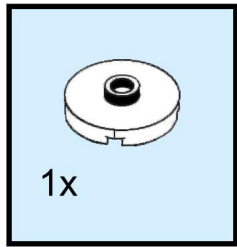
54



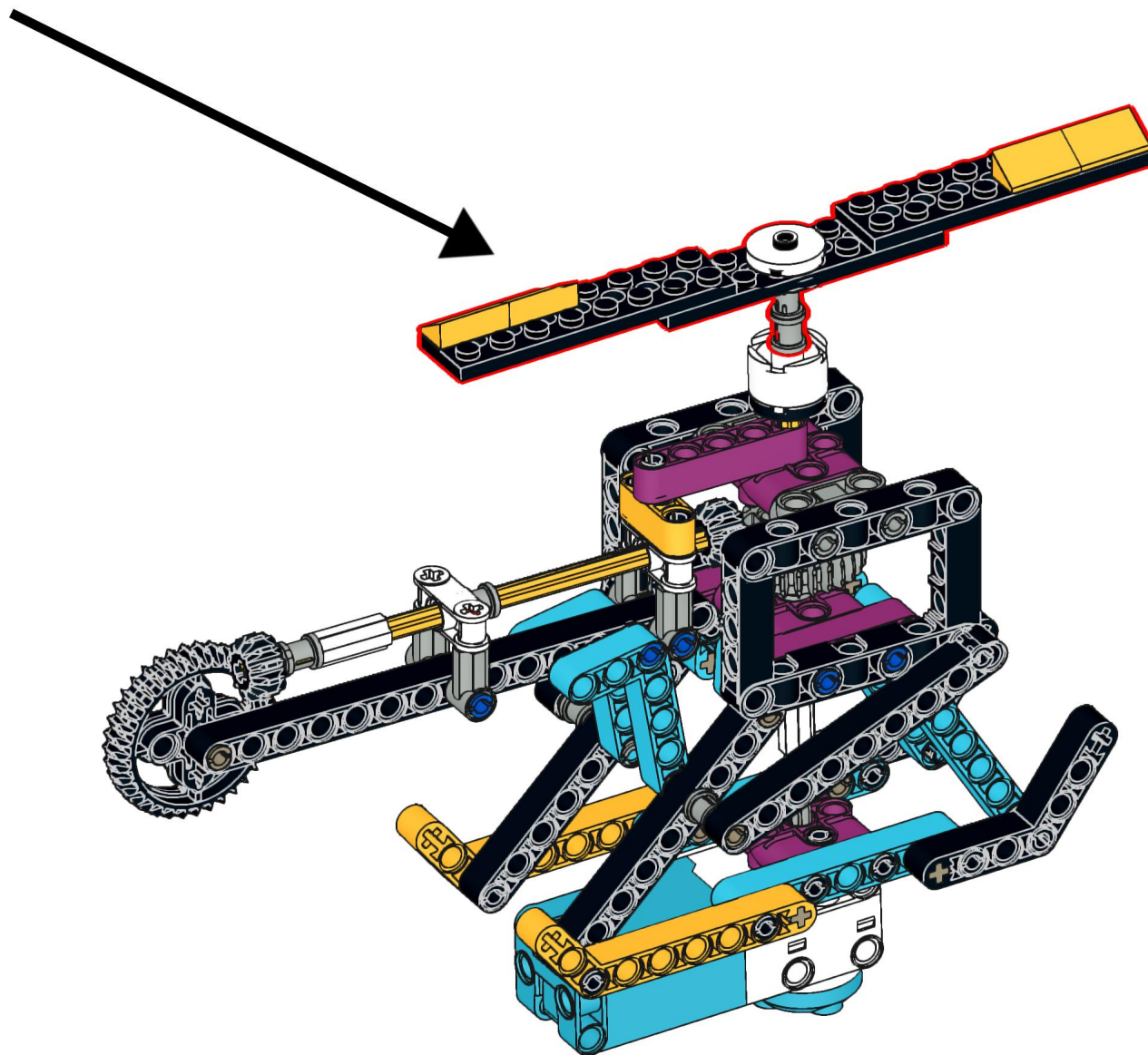
55



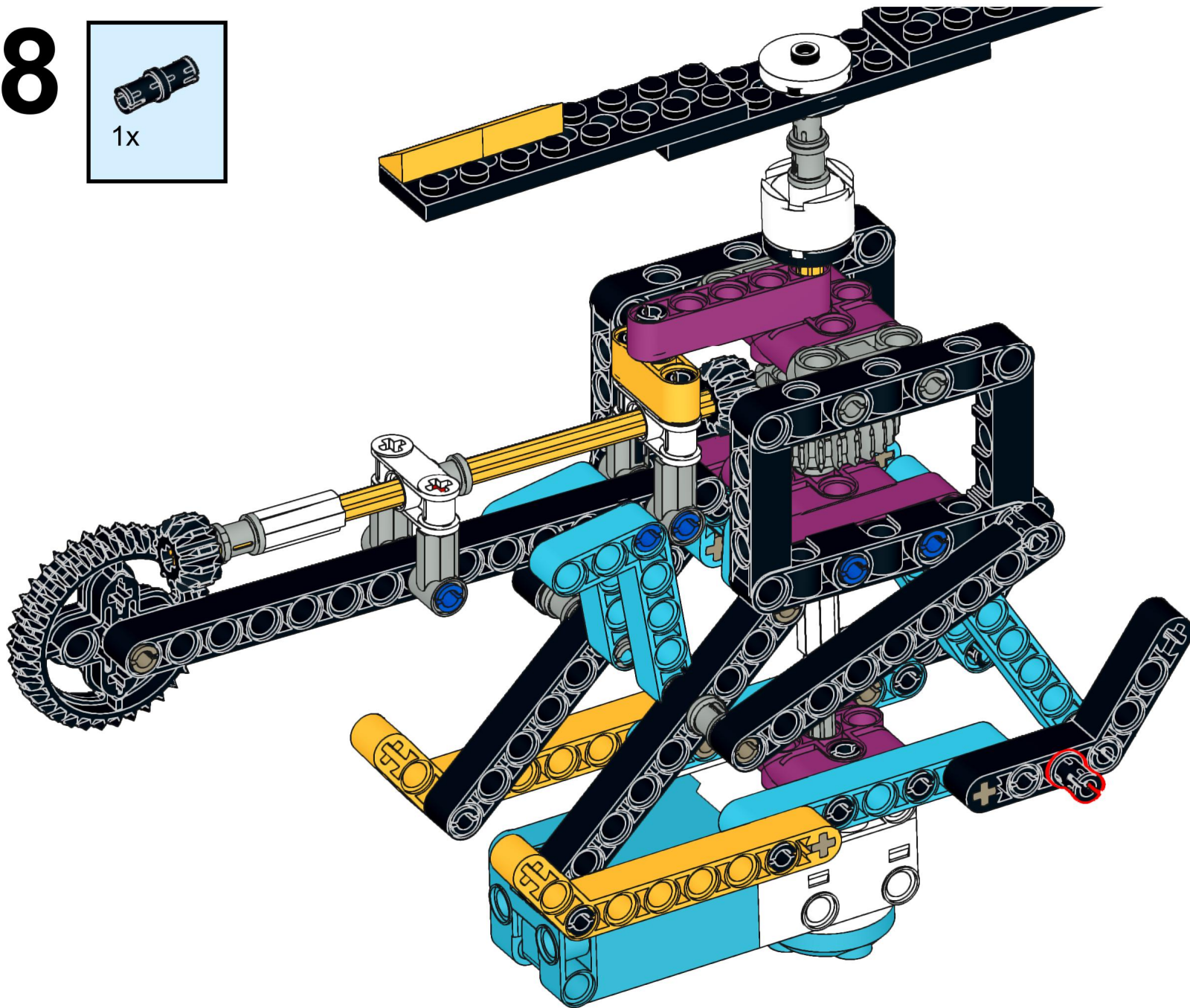
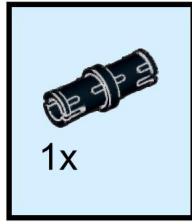
56



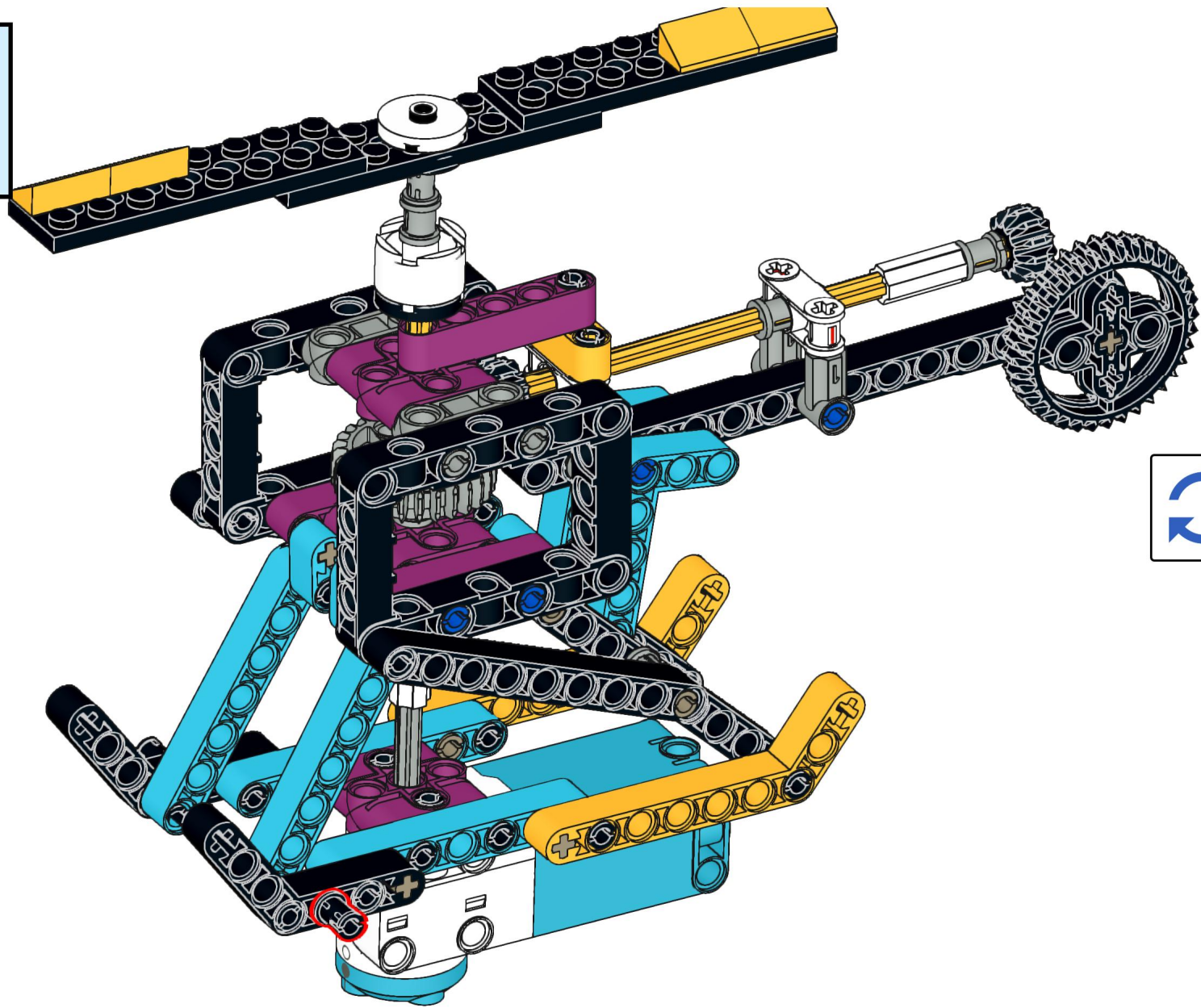
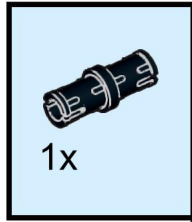
57



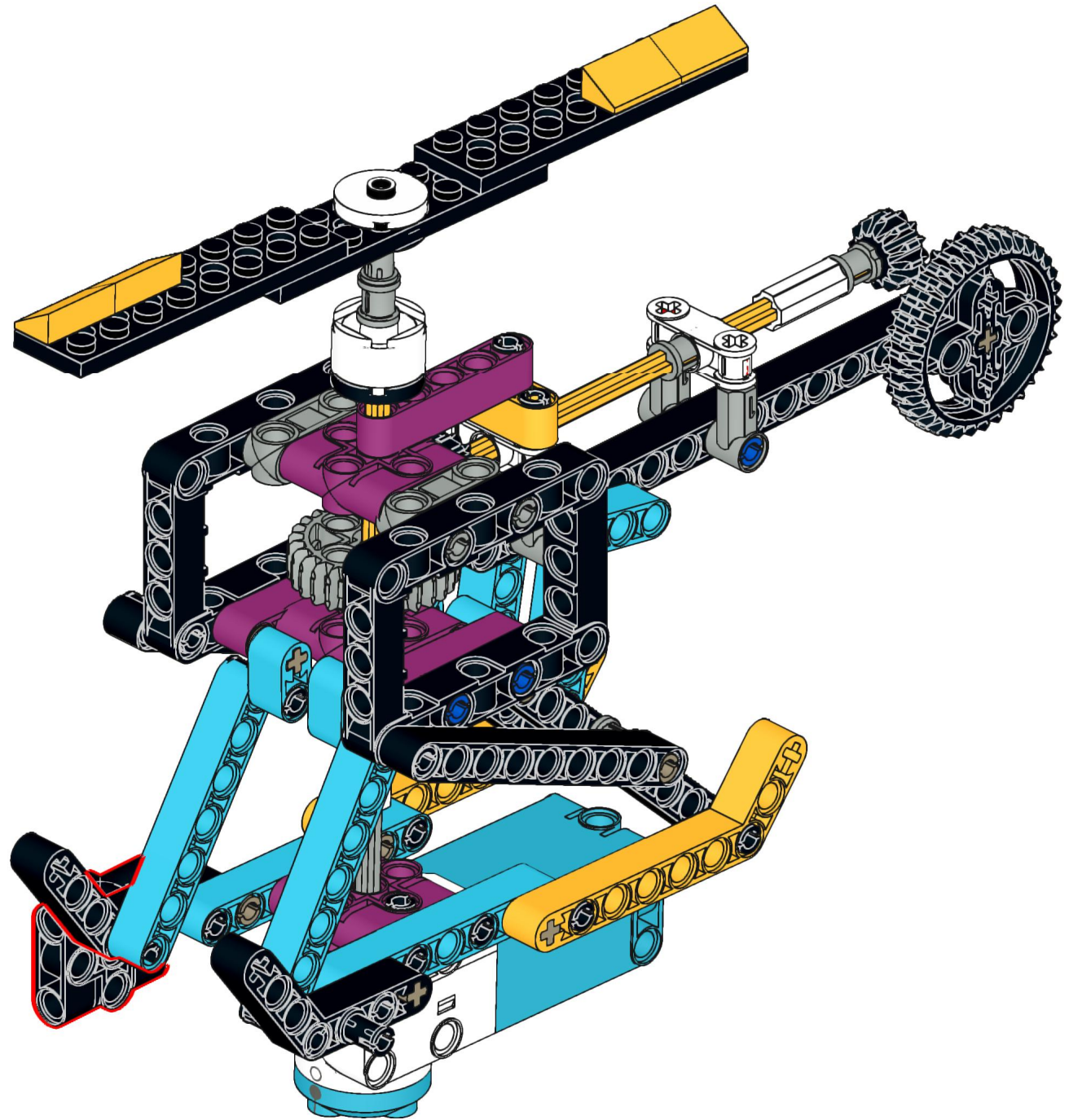
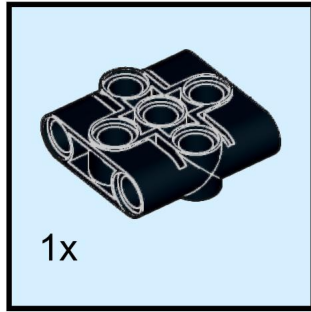
58



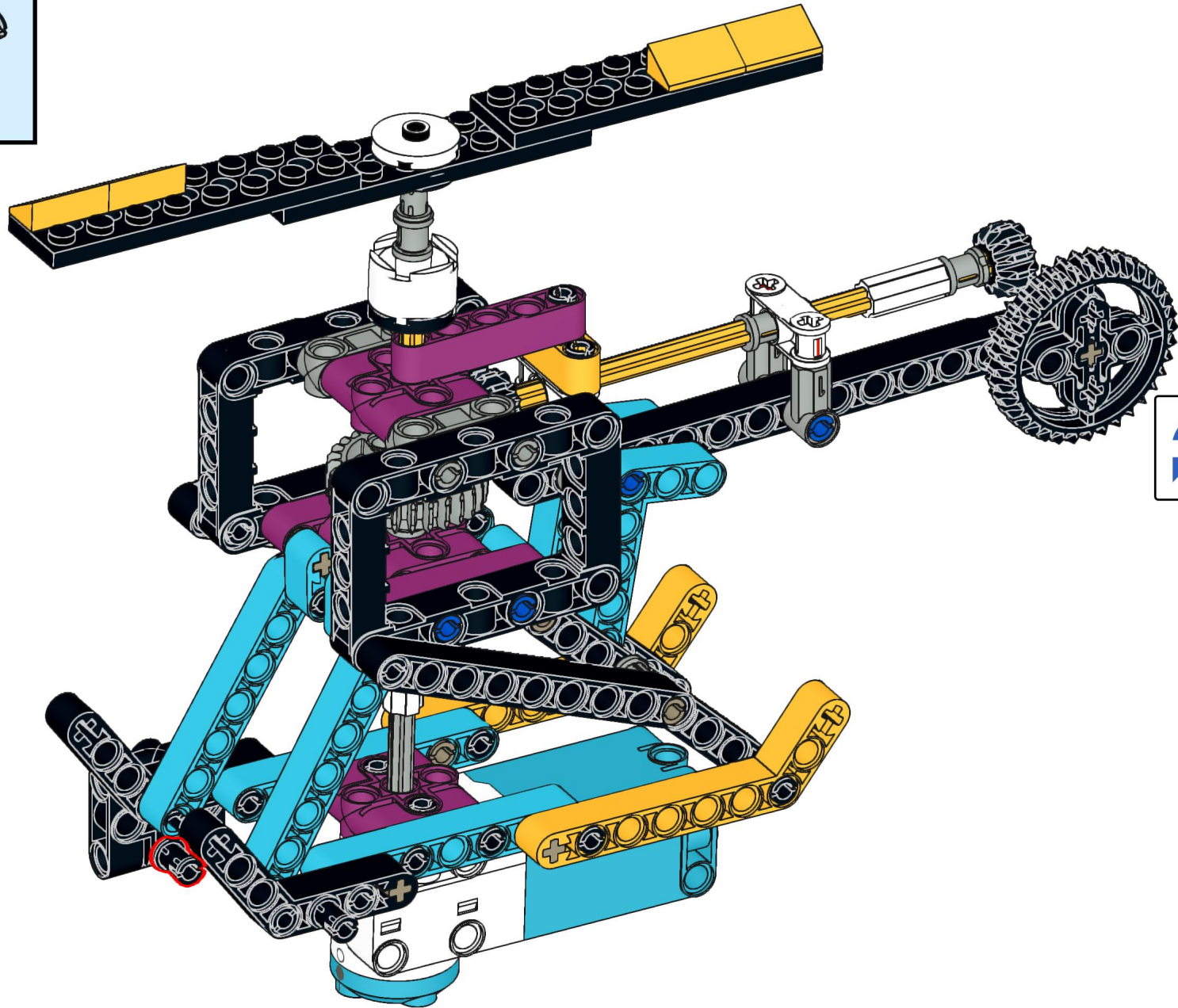
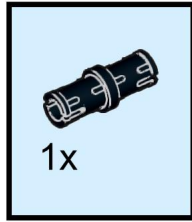
59



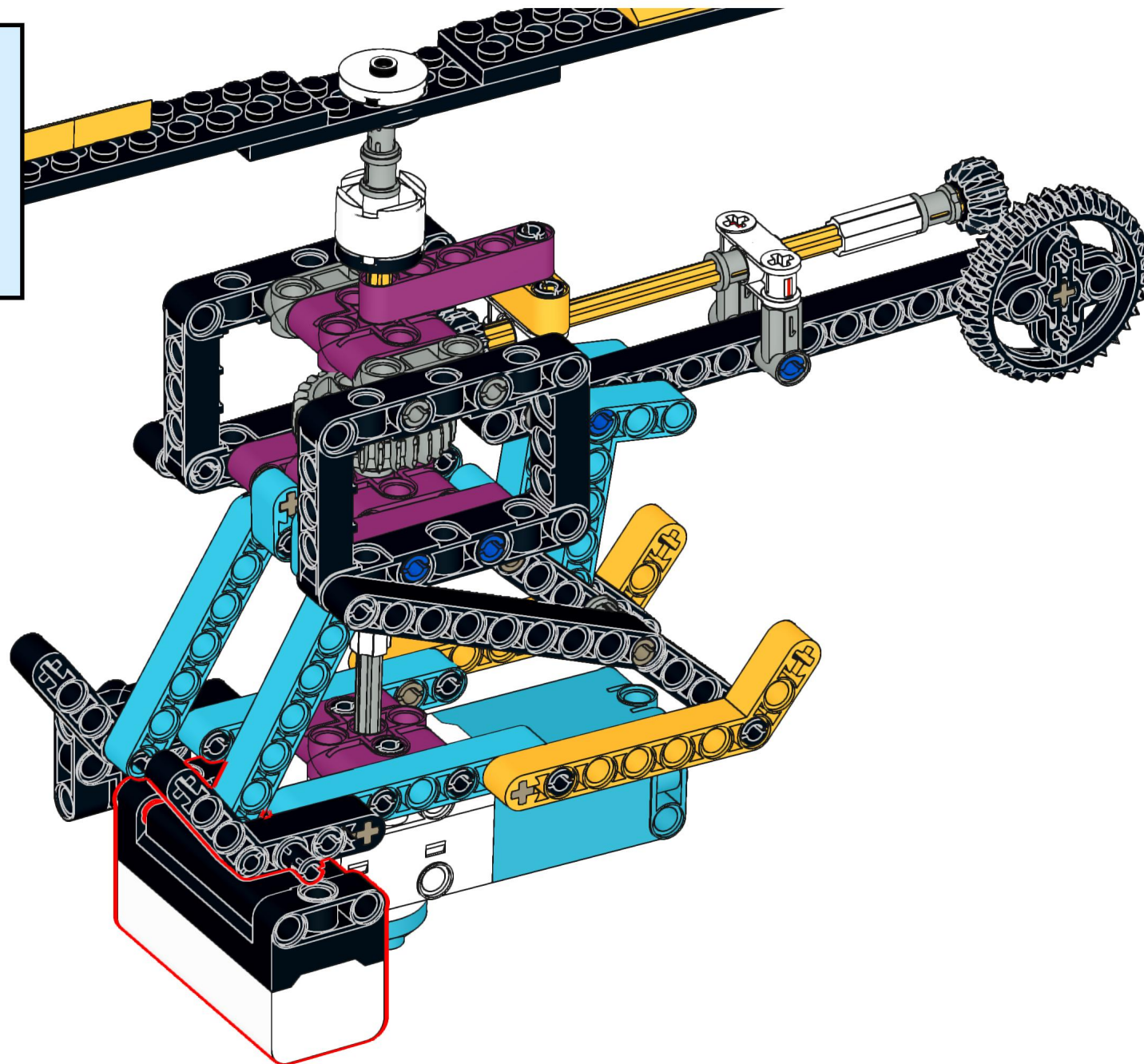
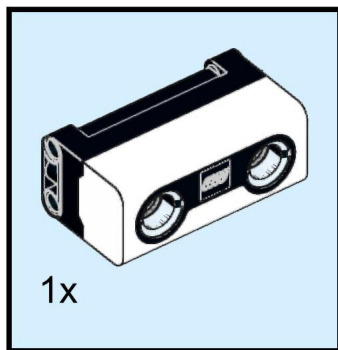
60



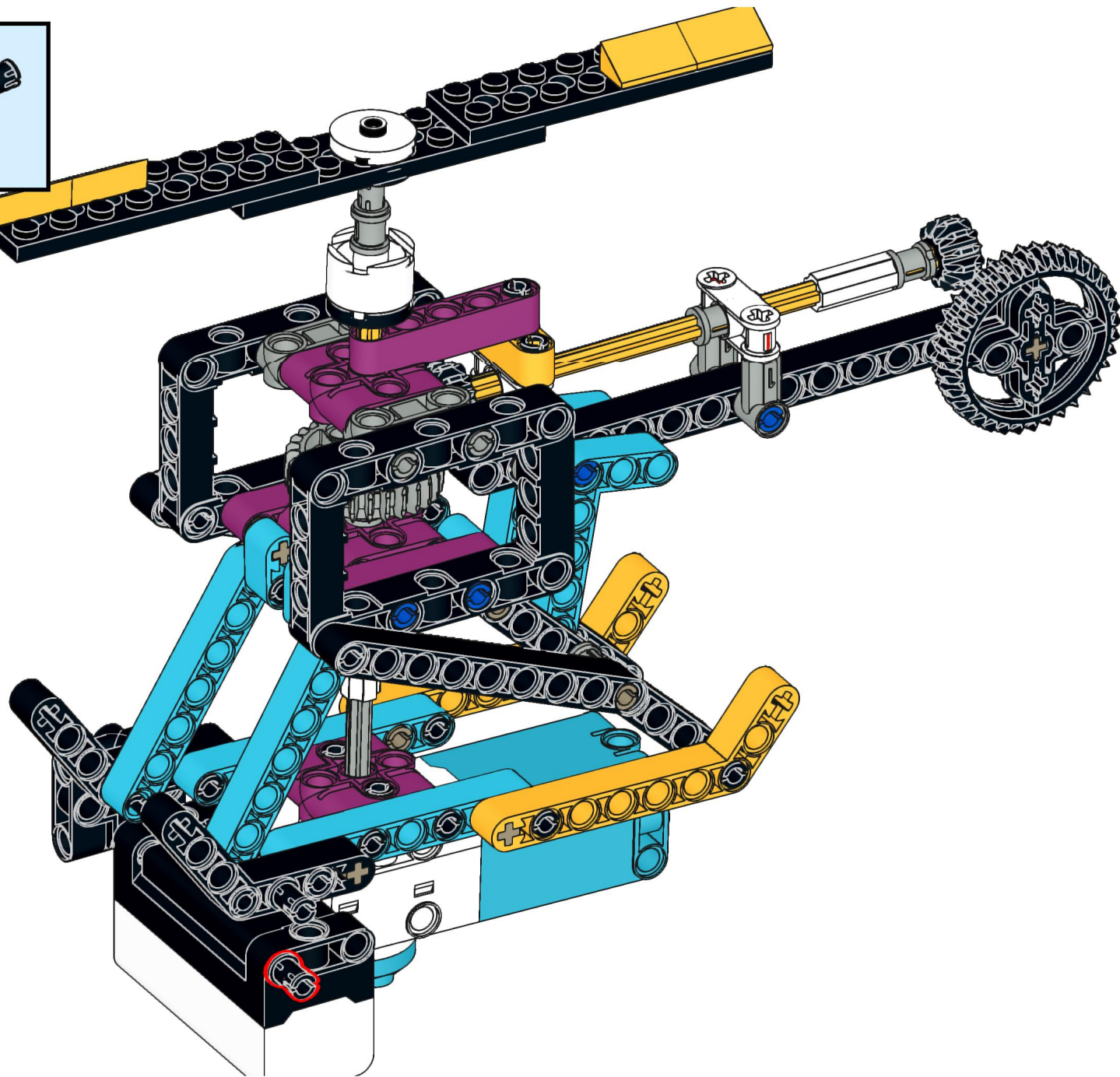
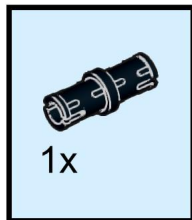
61



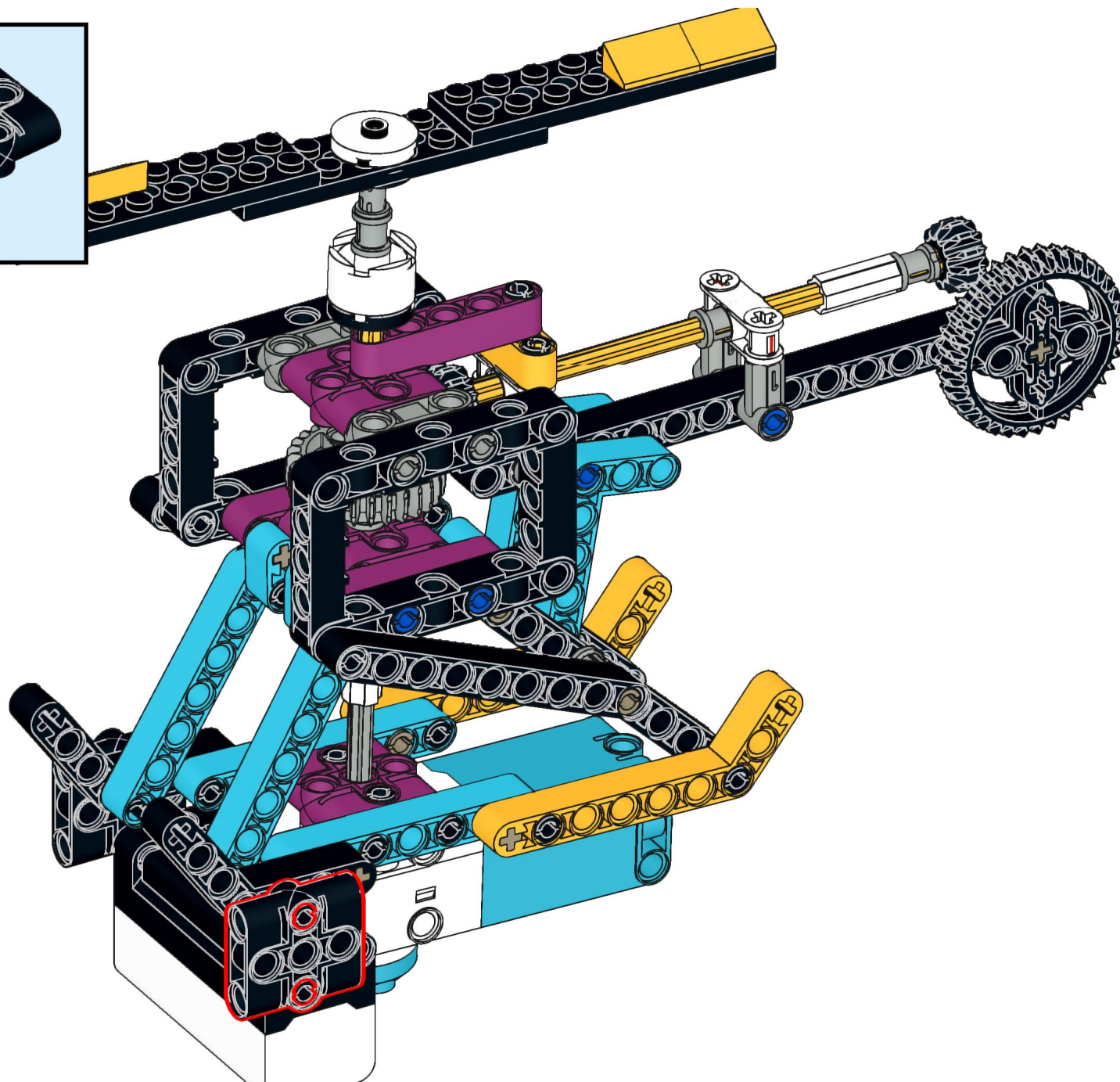
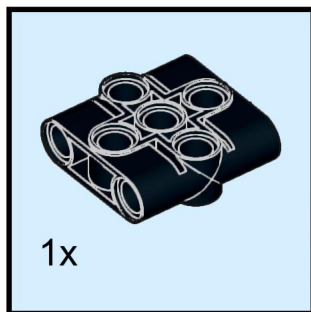
62



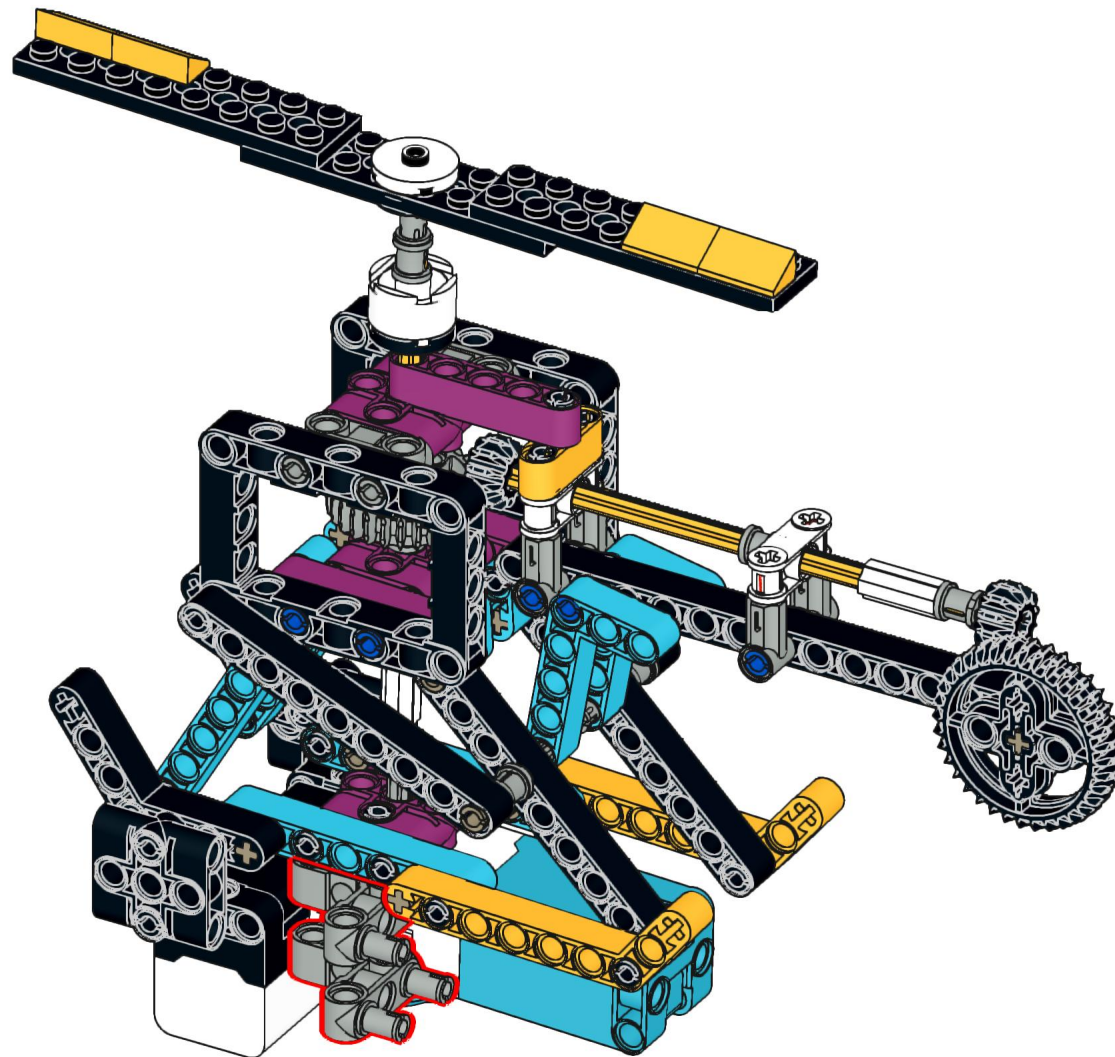
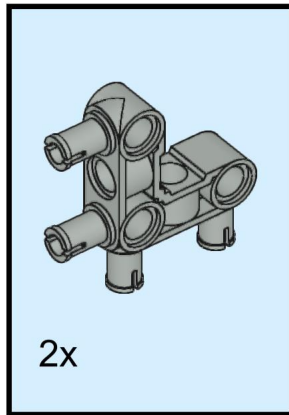
63



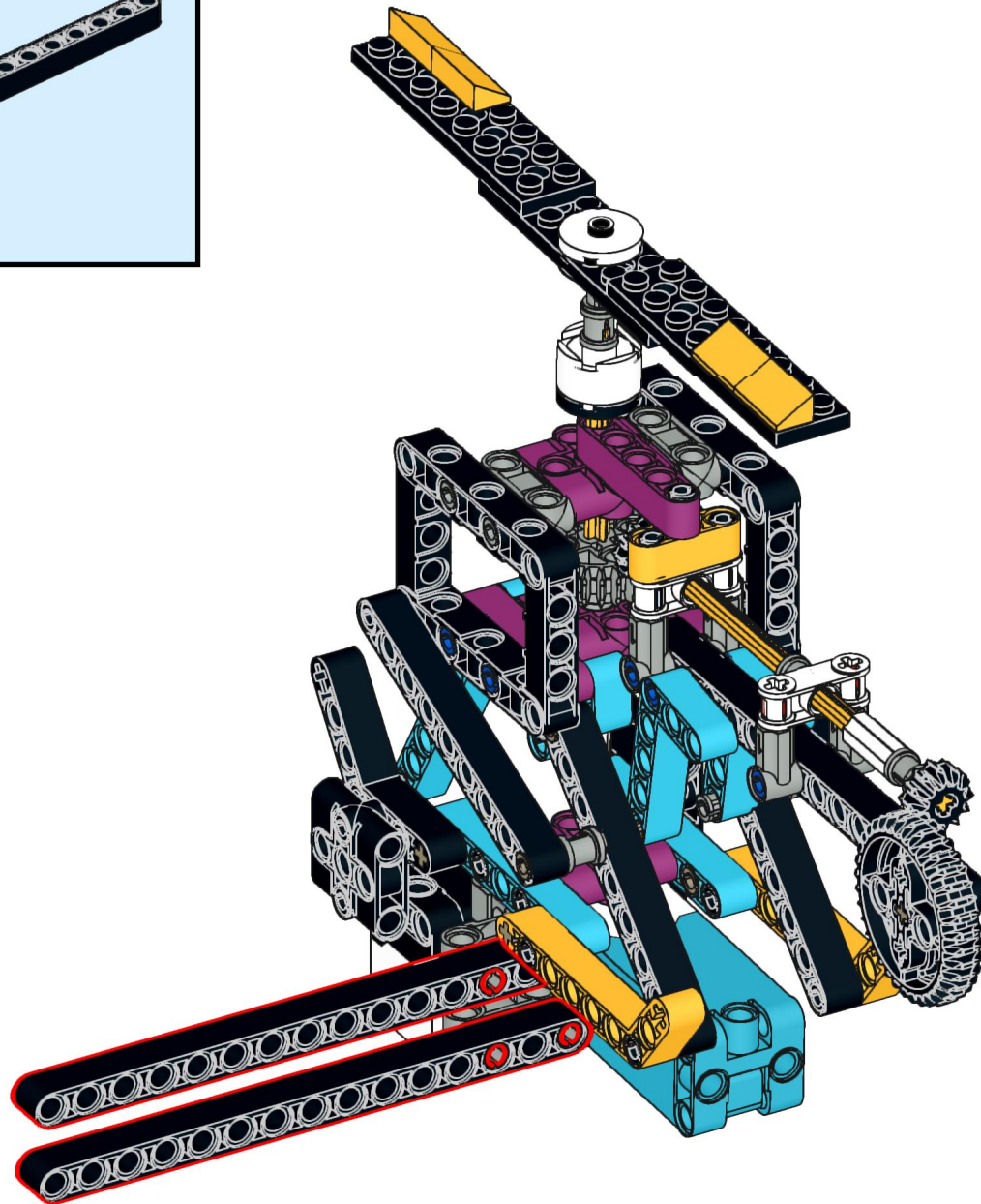
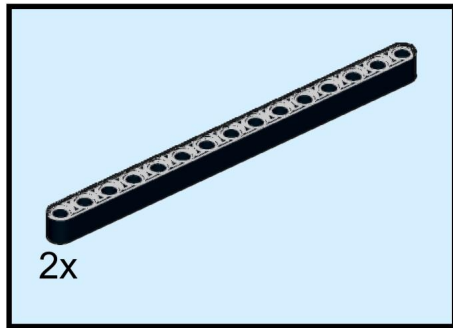
64



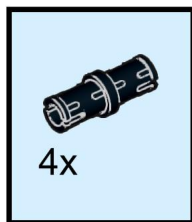
65



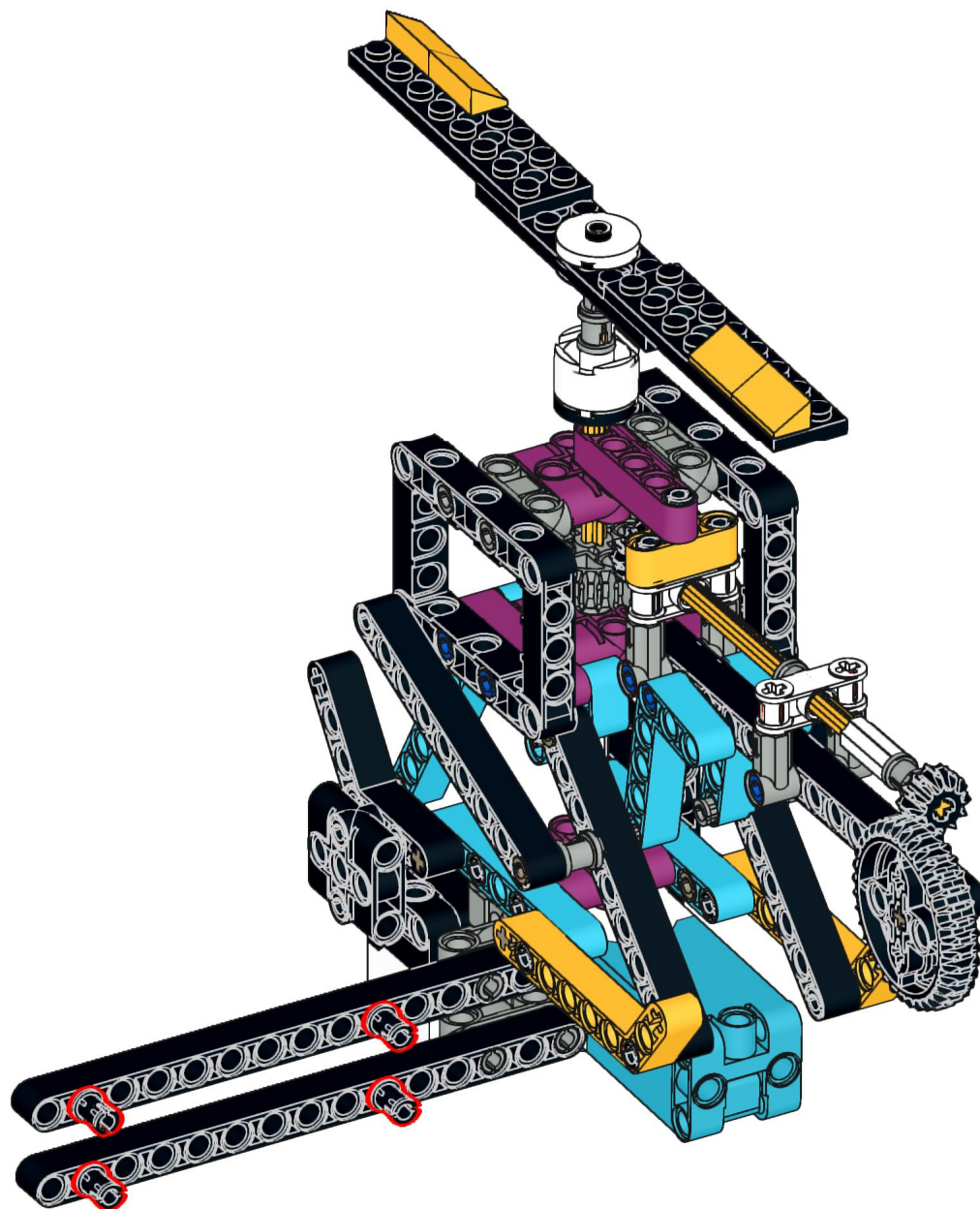
66



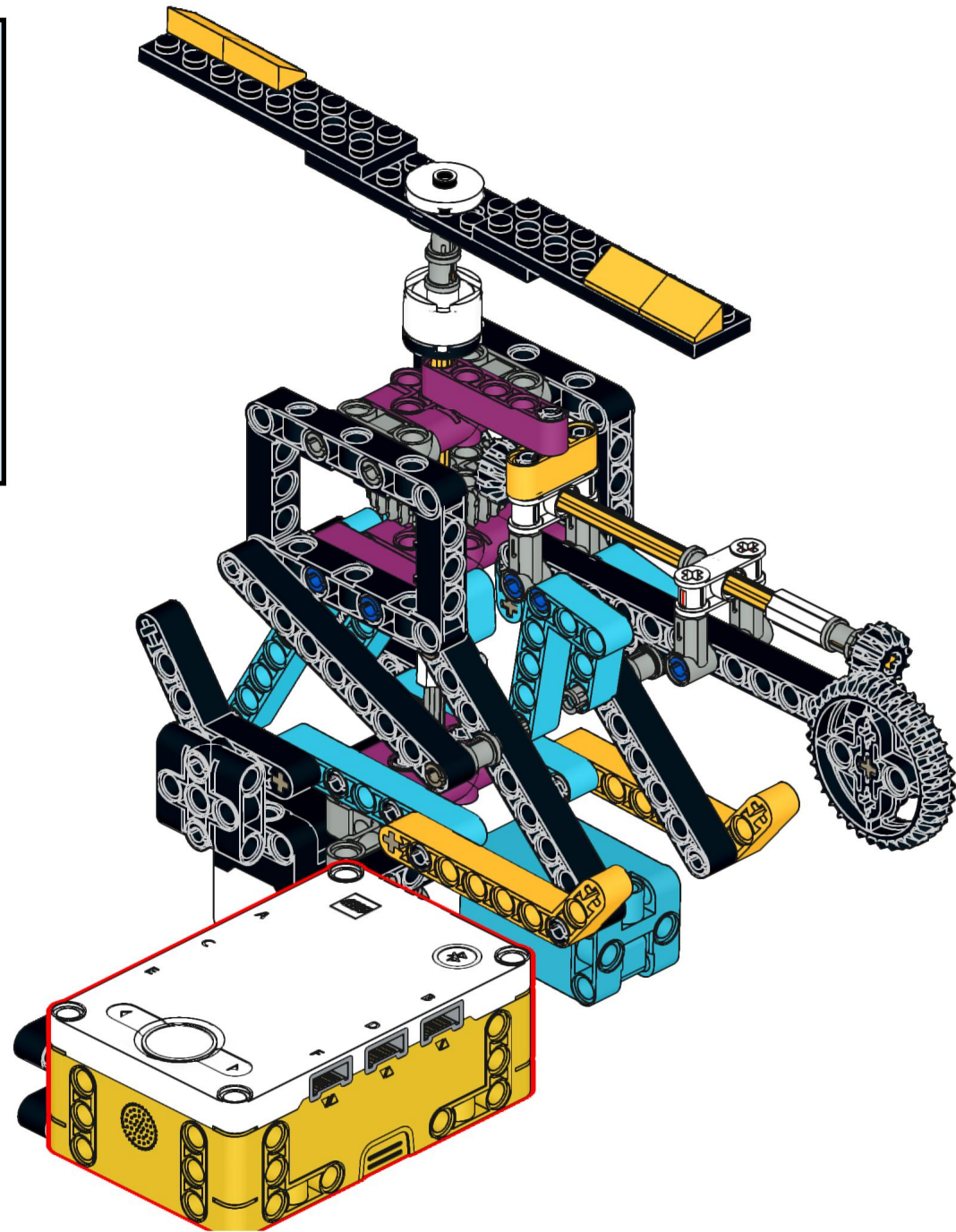
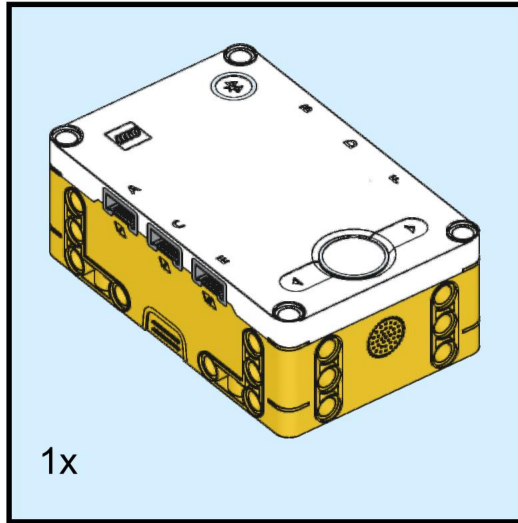
67



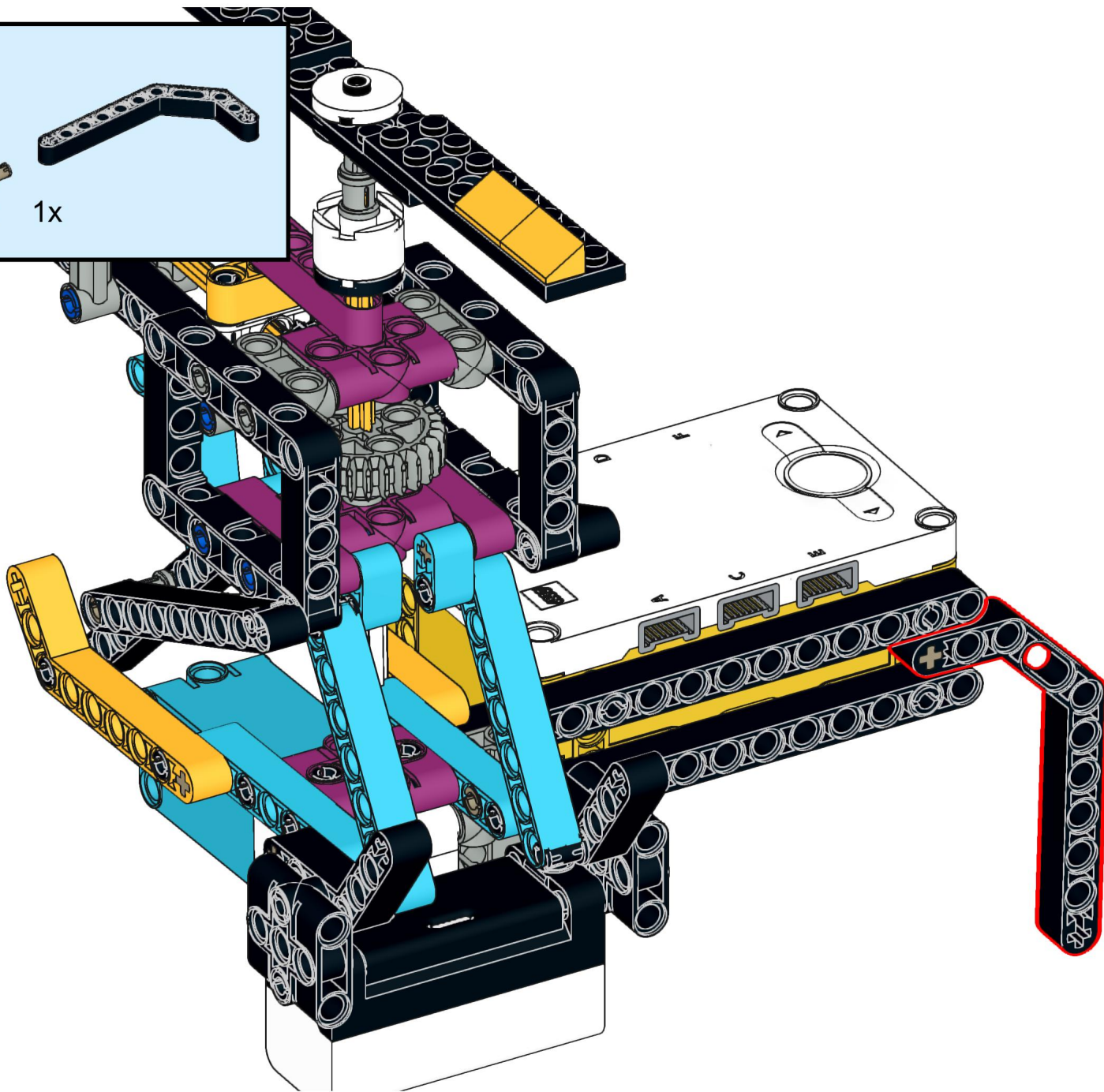
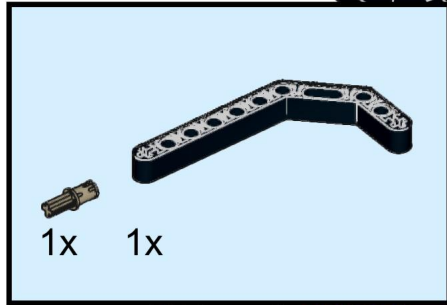
4x



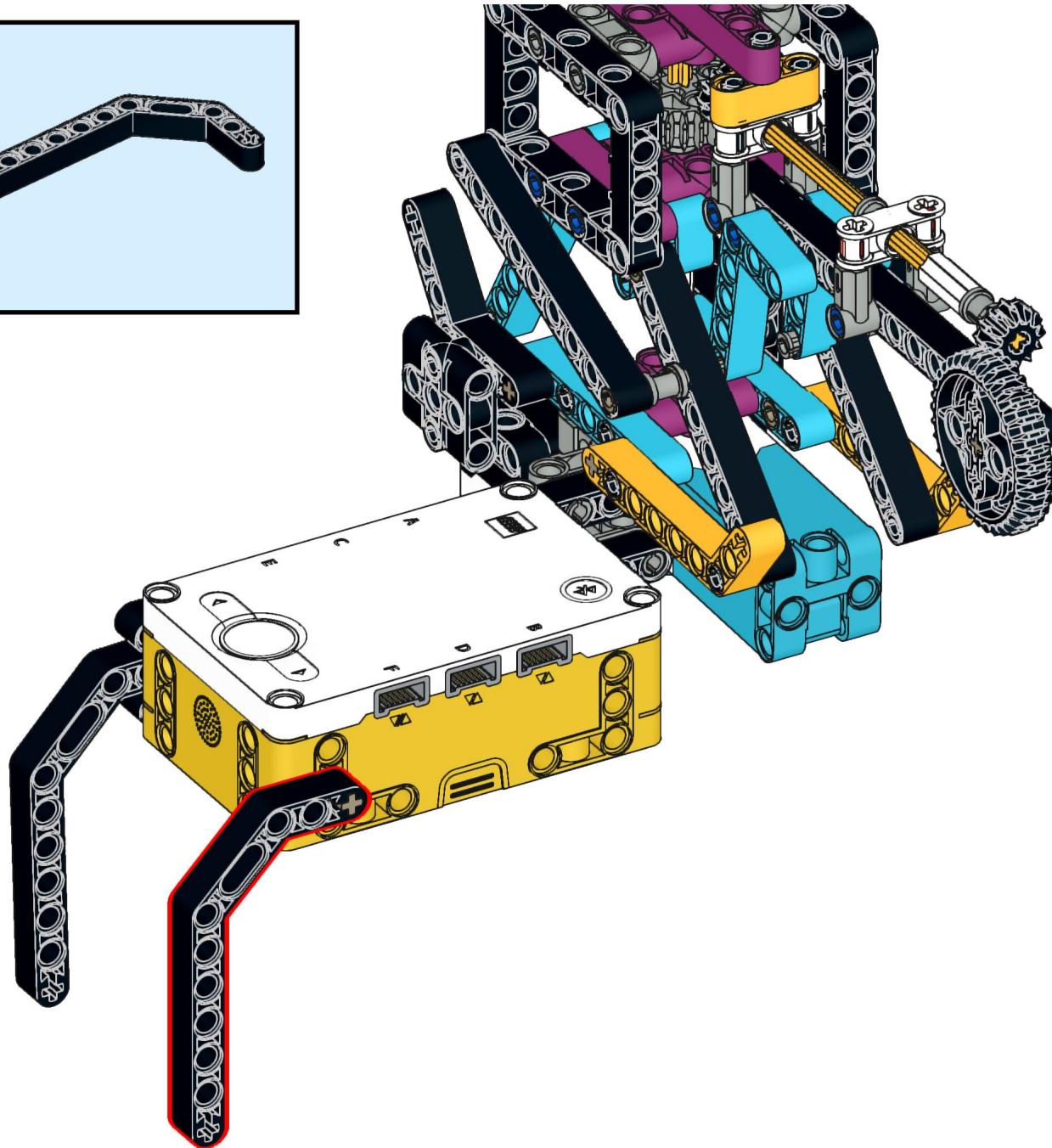
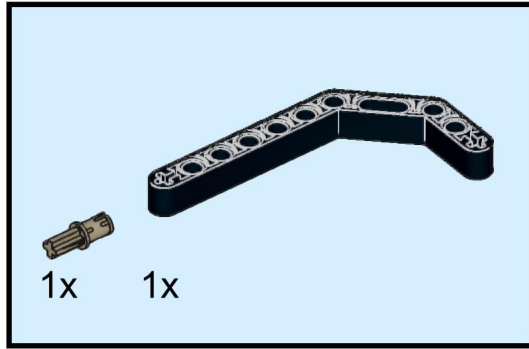
68



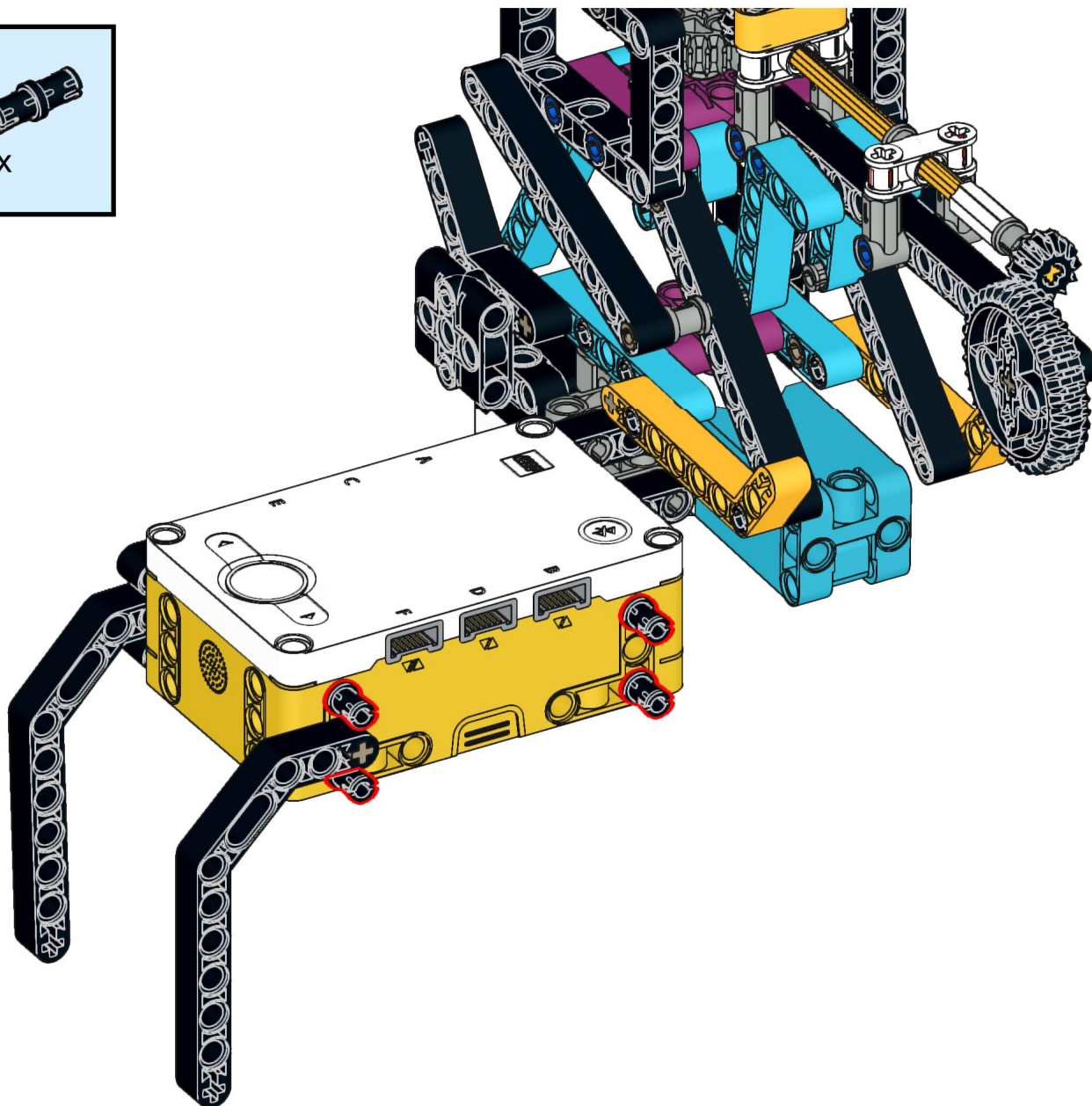
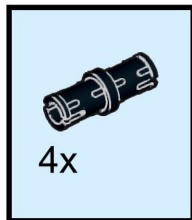
69



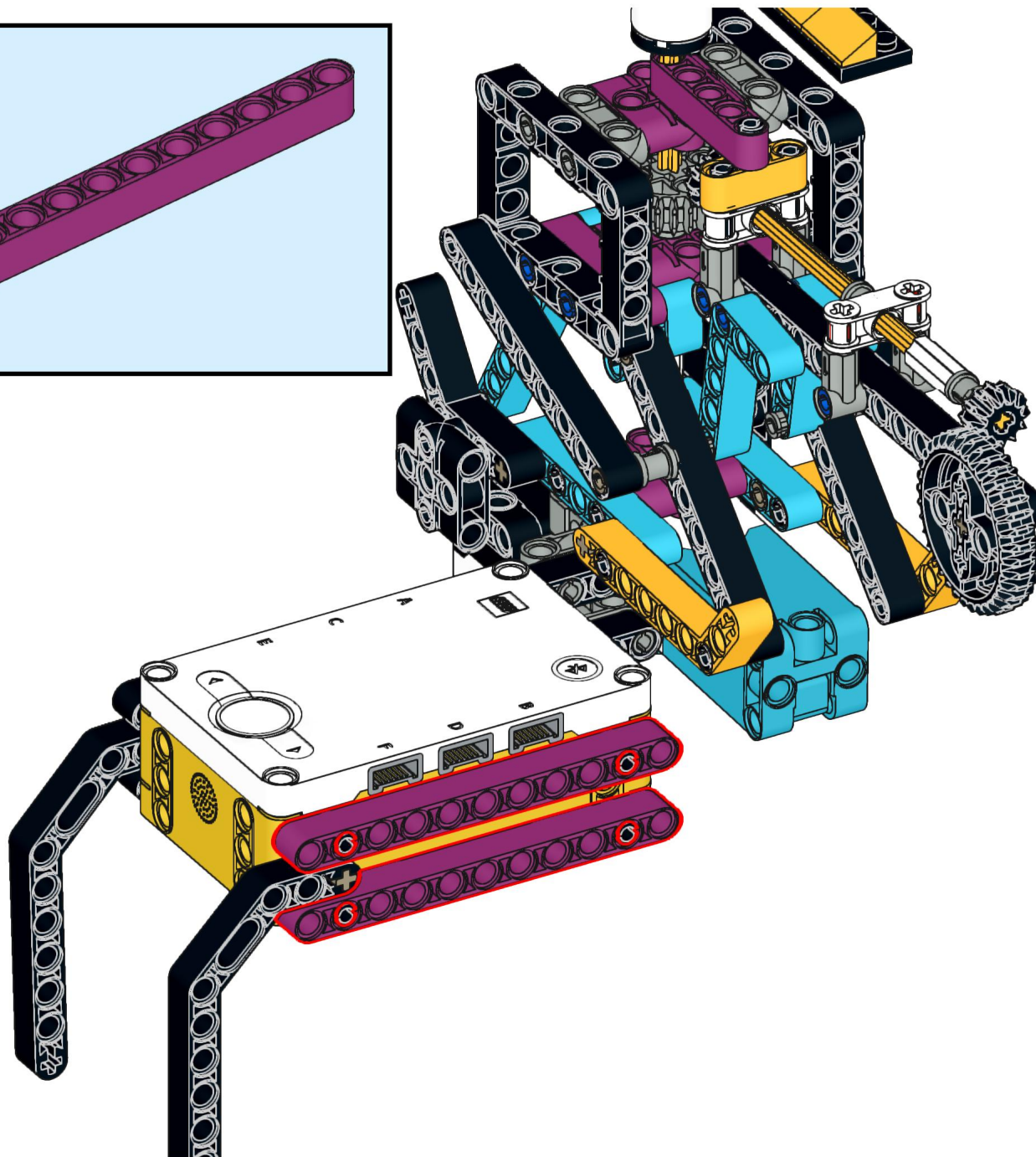
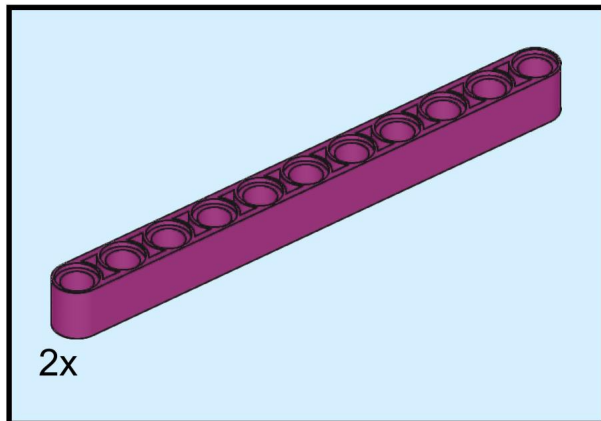
70



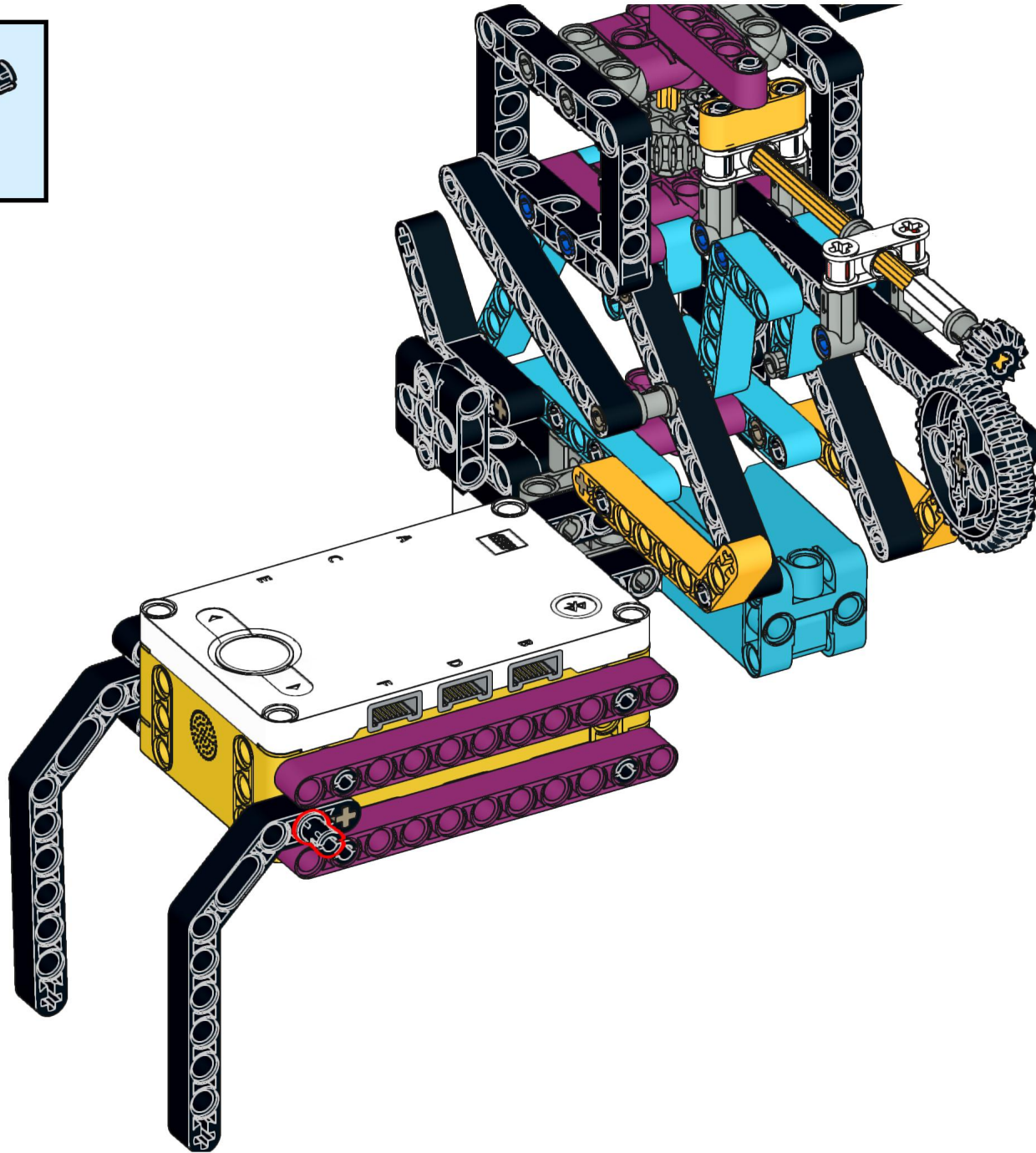
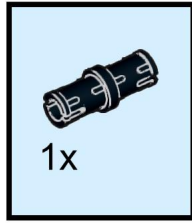
71



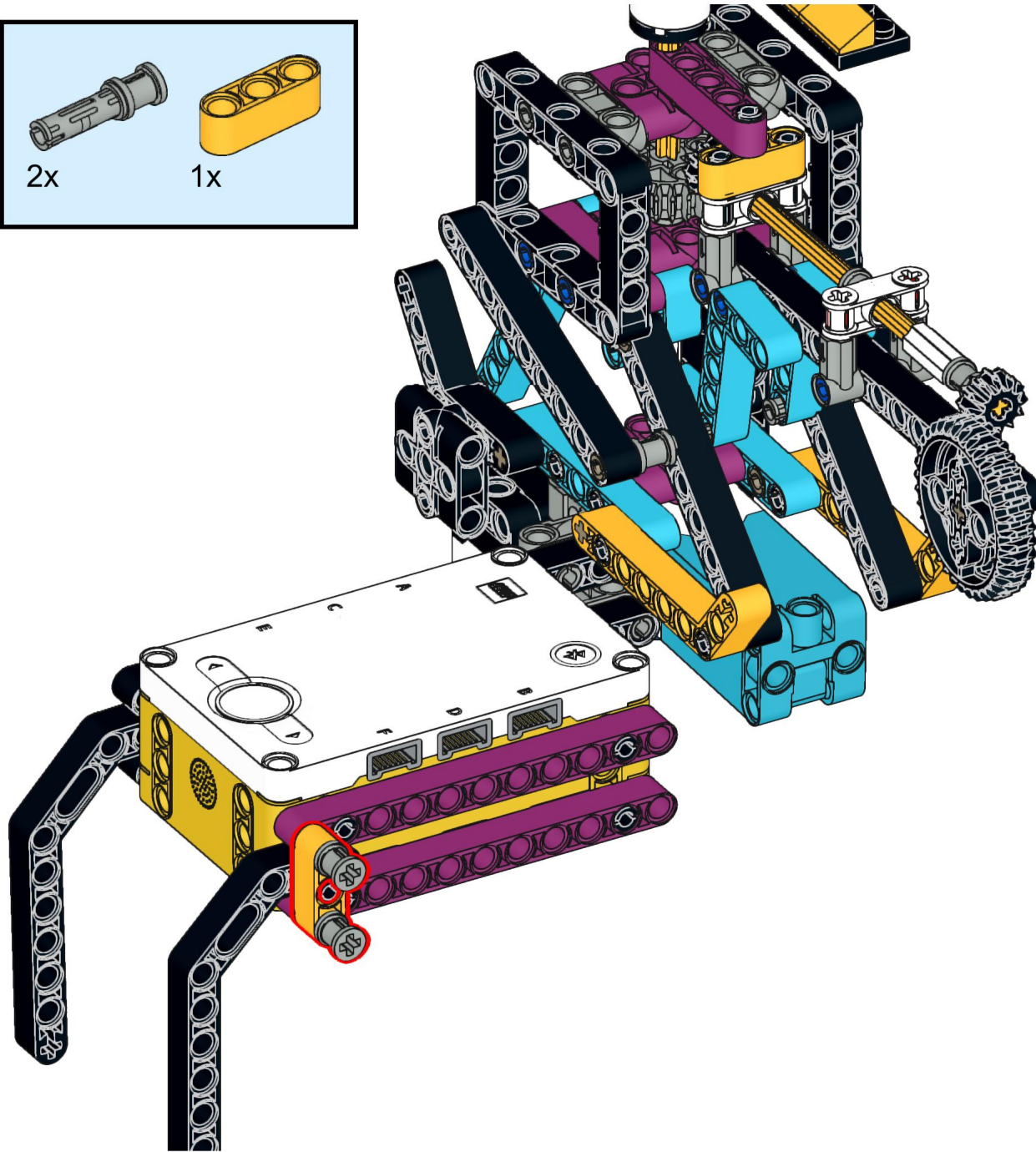
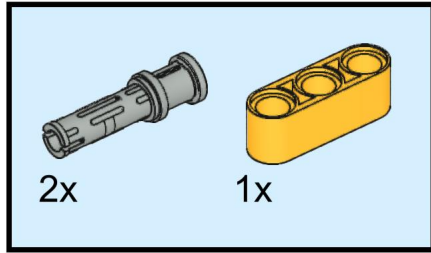
72



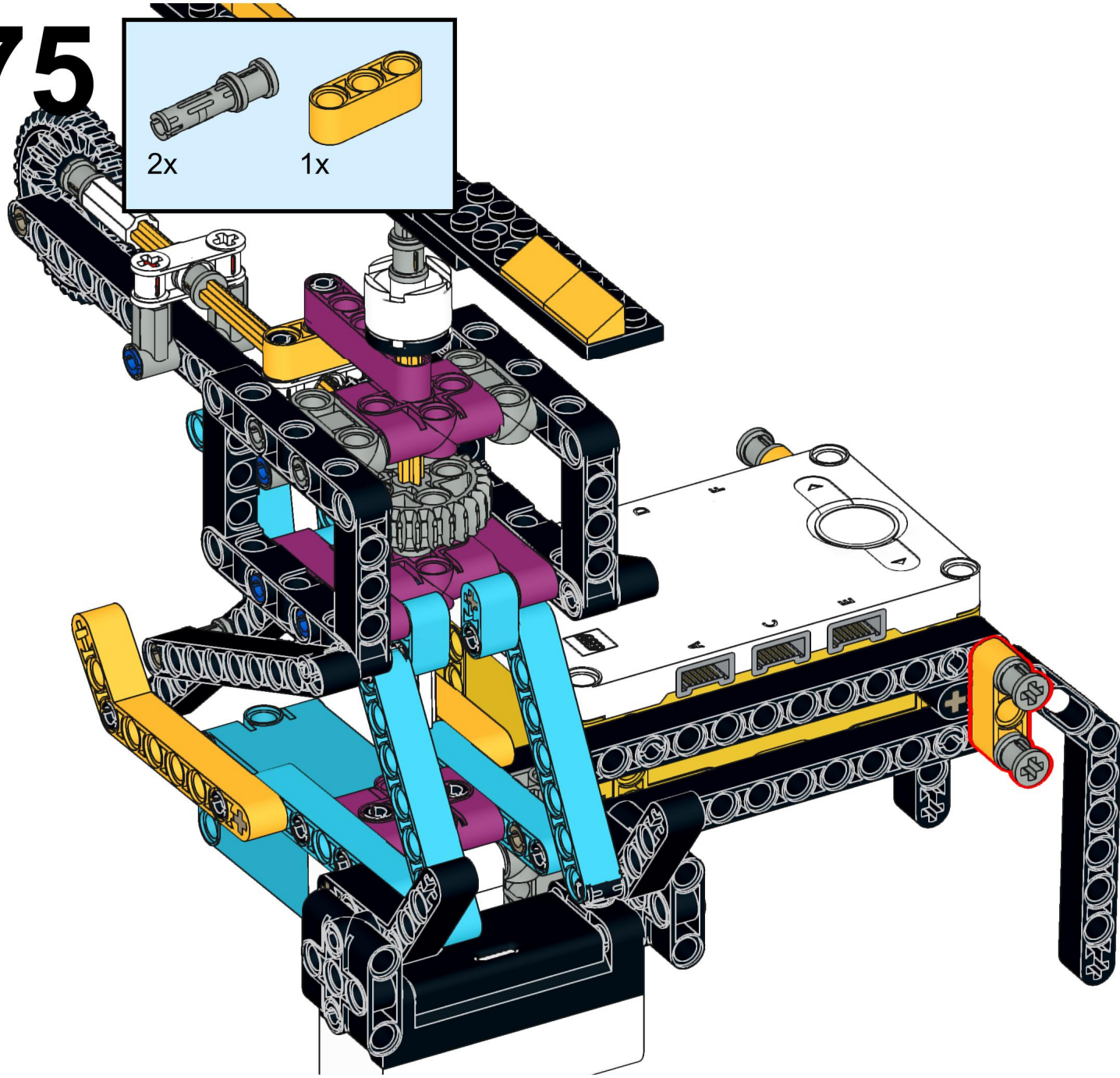
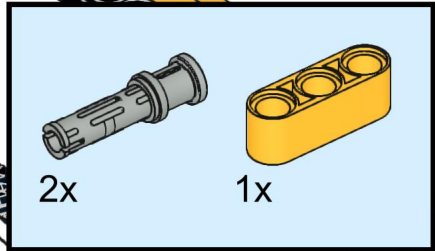
73



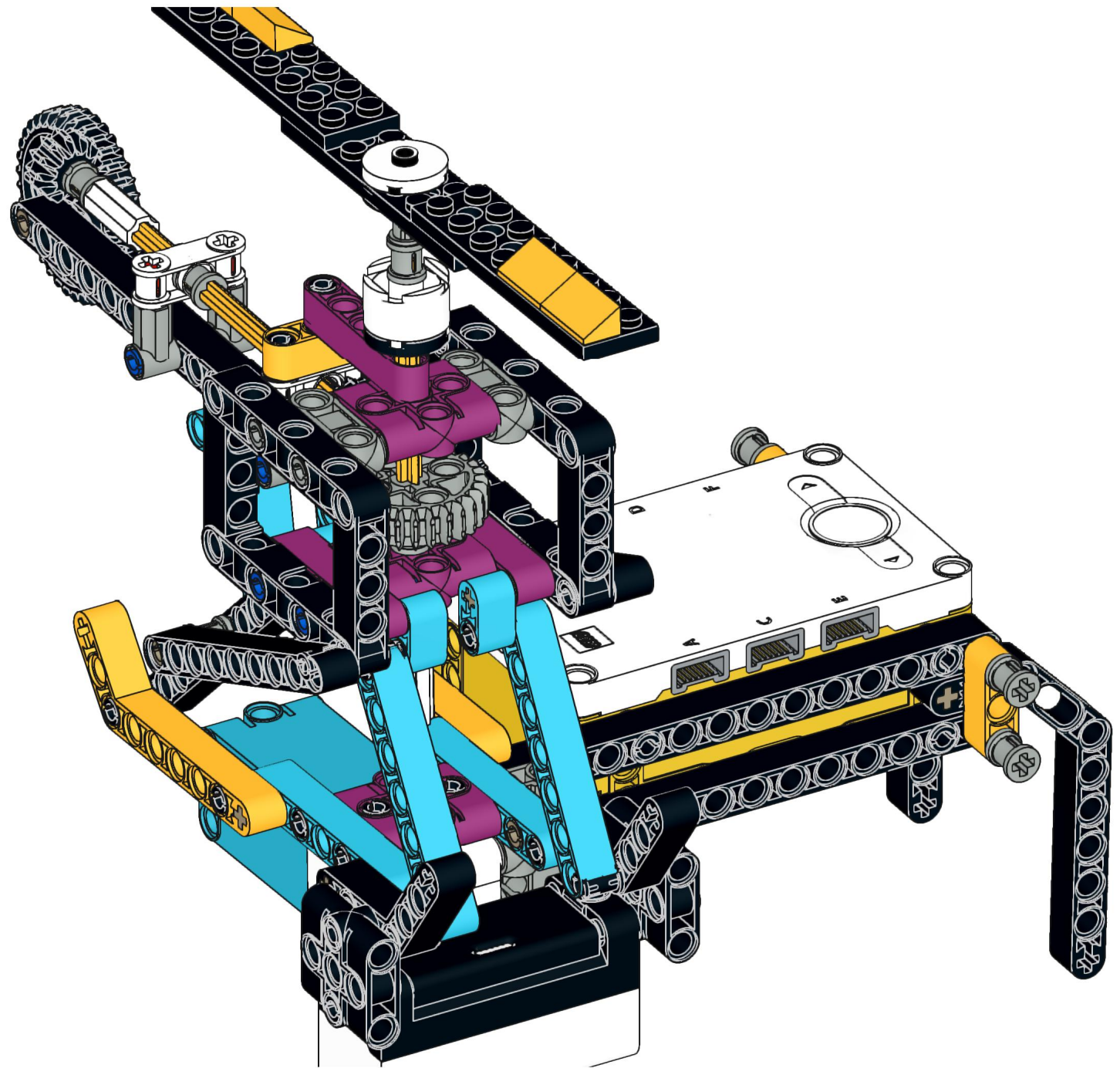
74



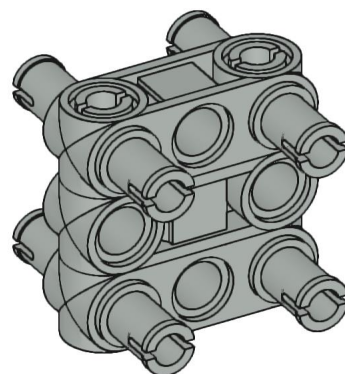
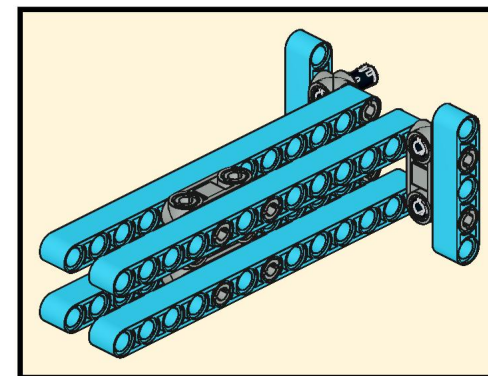
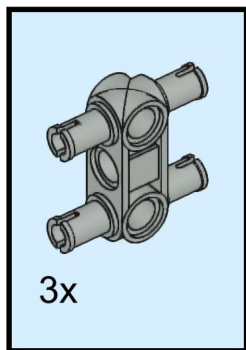
75



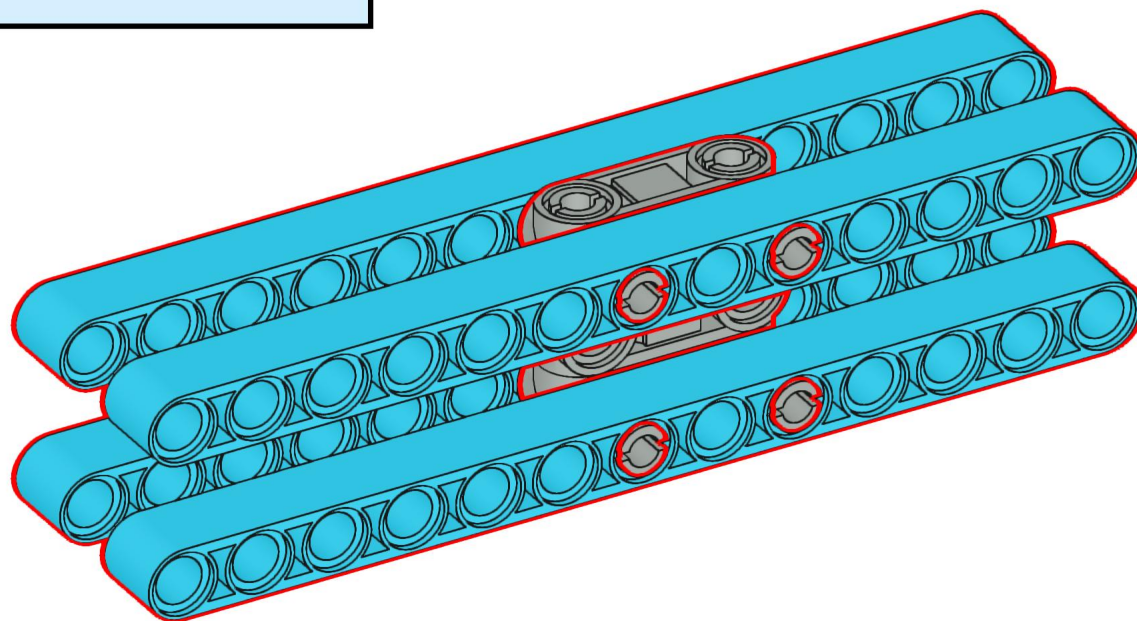
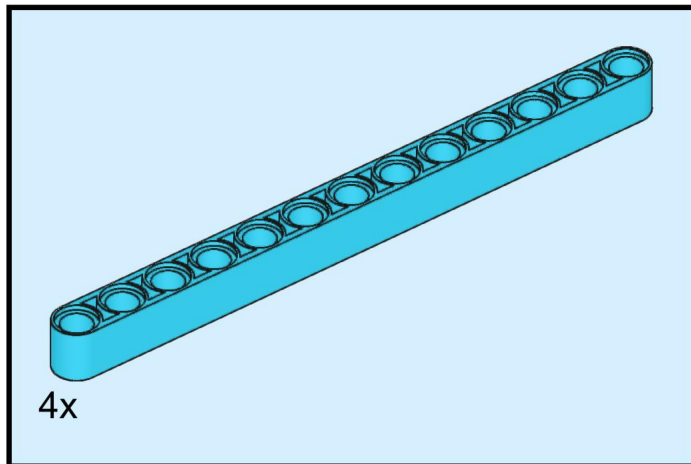
76



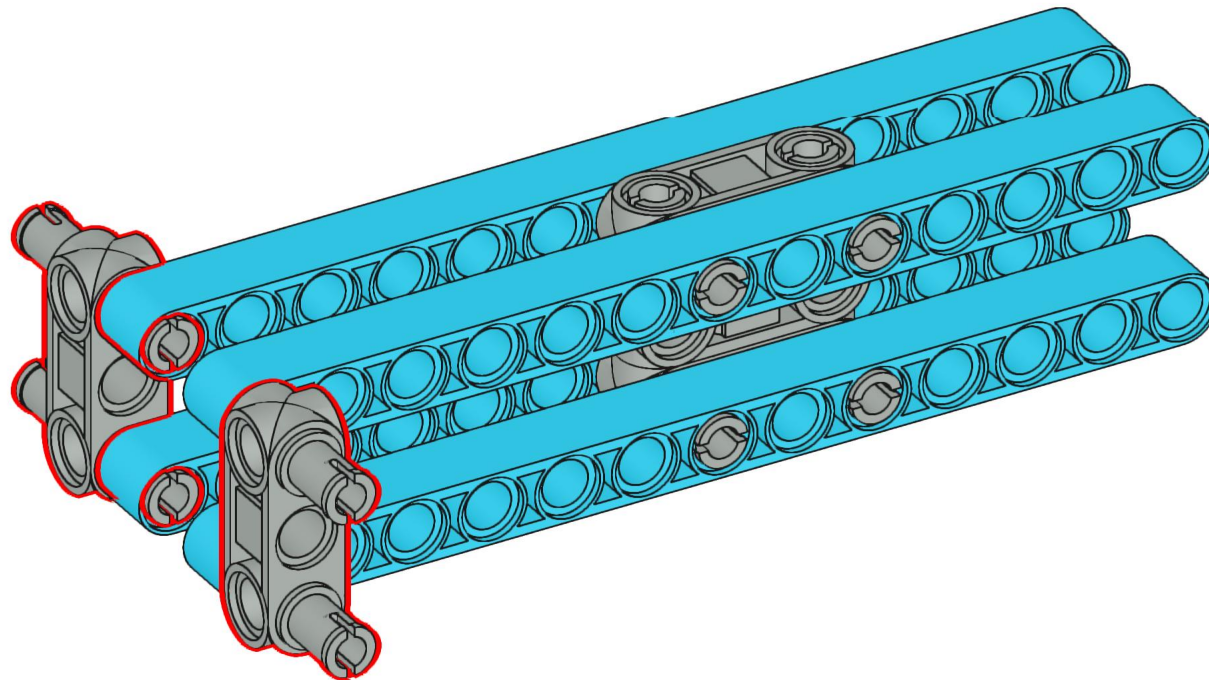
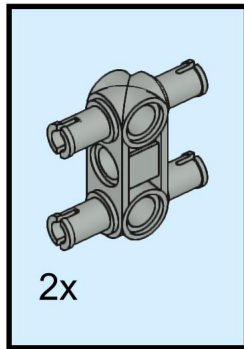
77



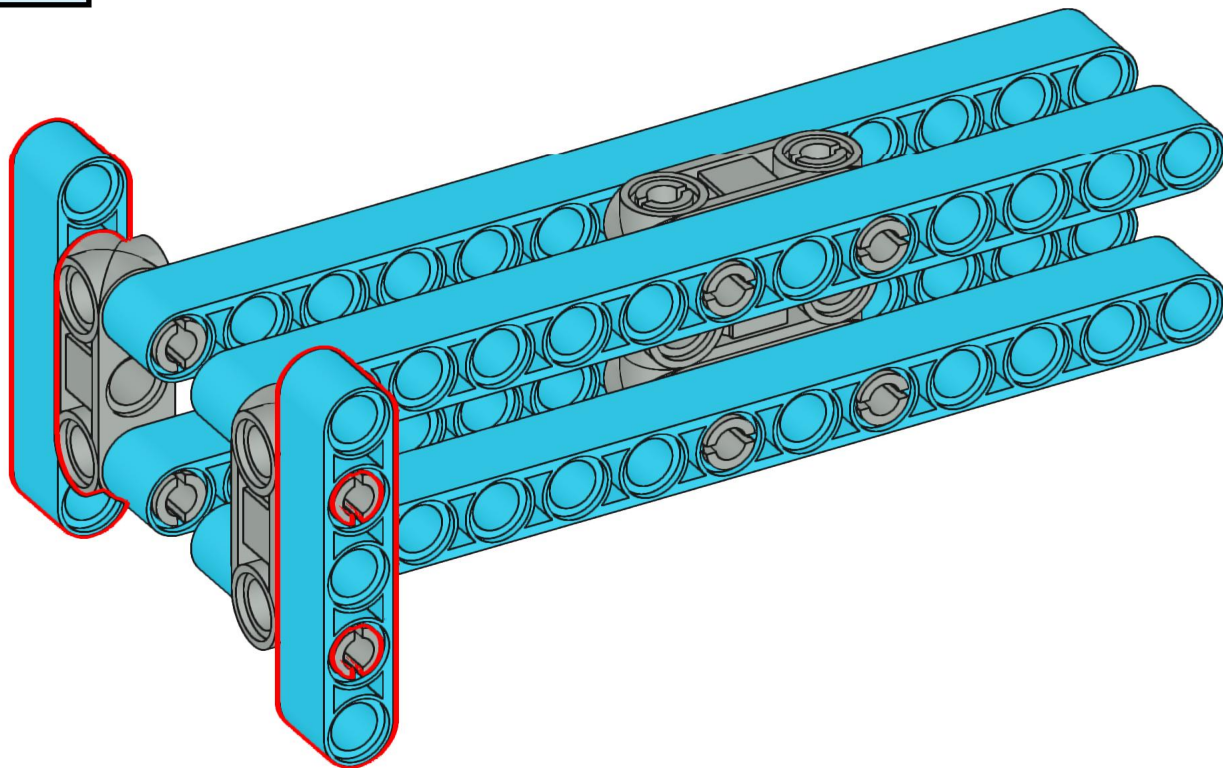
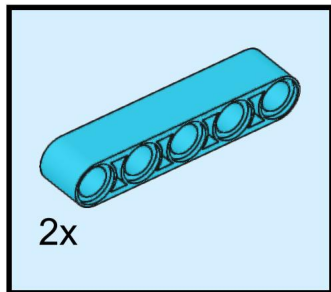
78



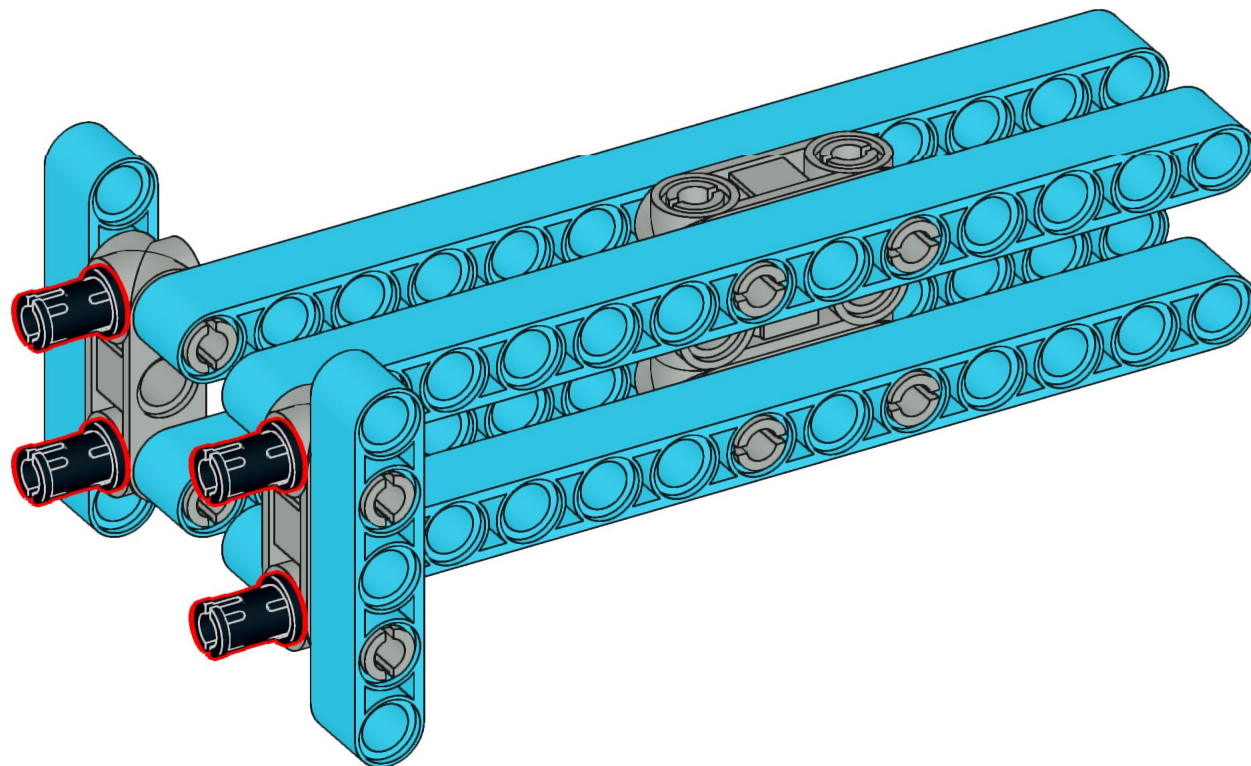
79



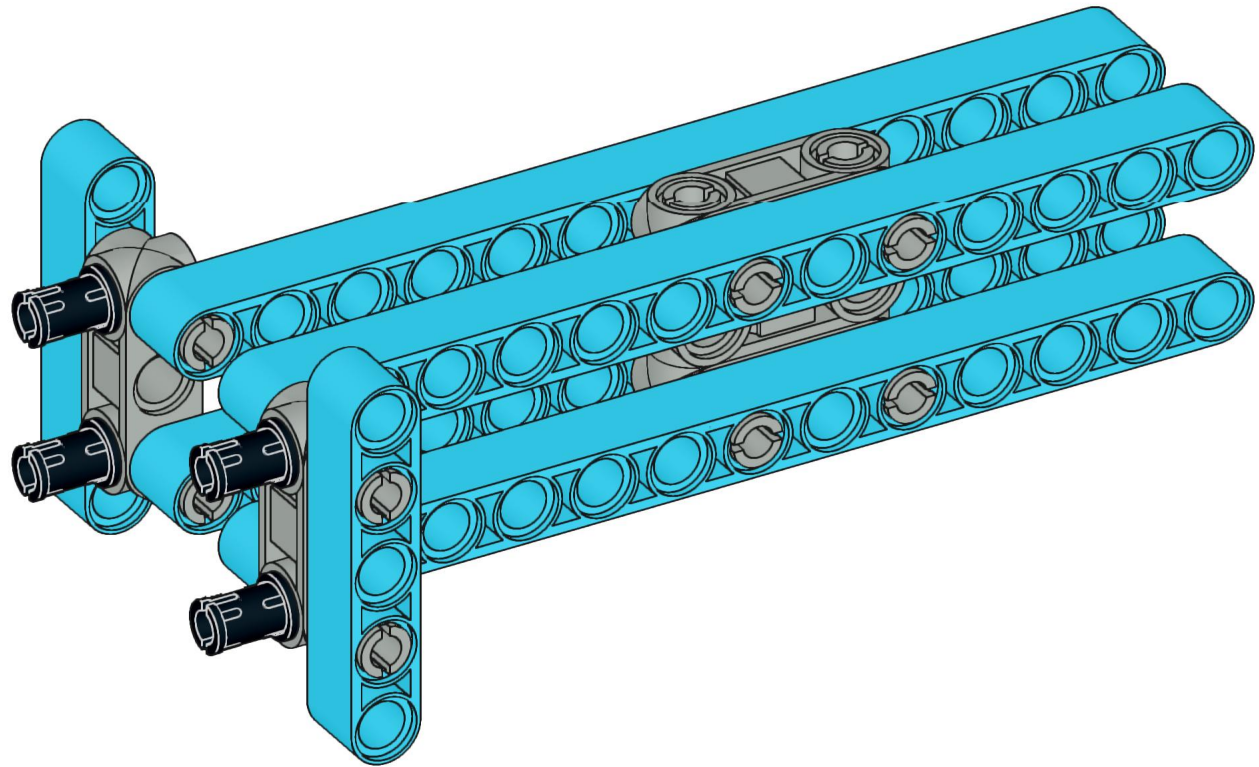
80



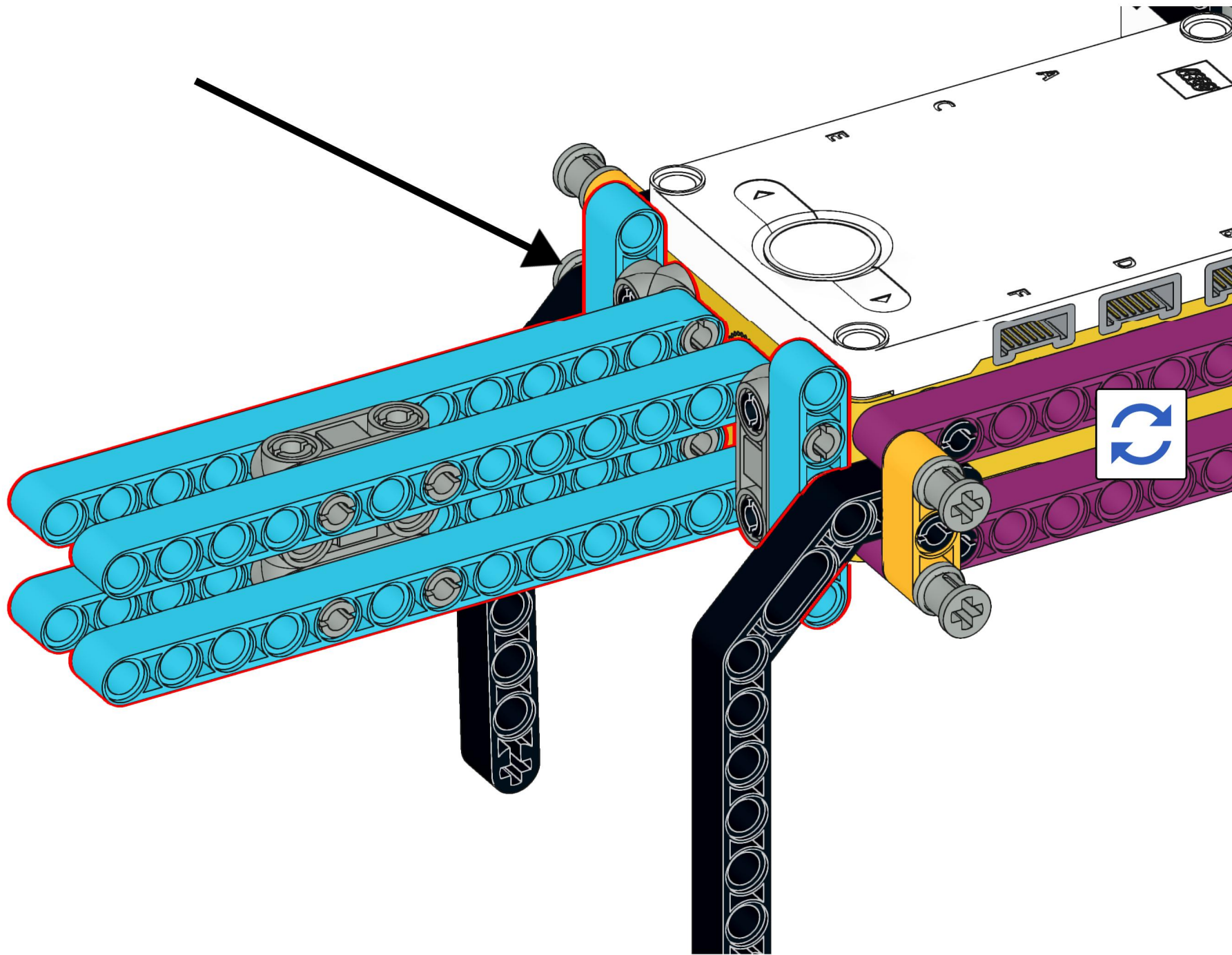
81



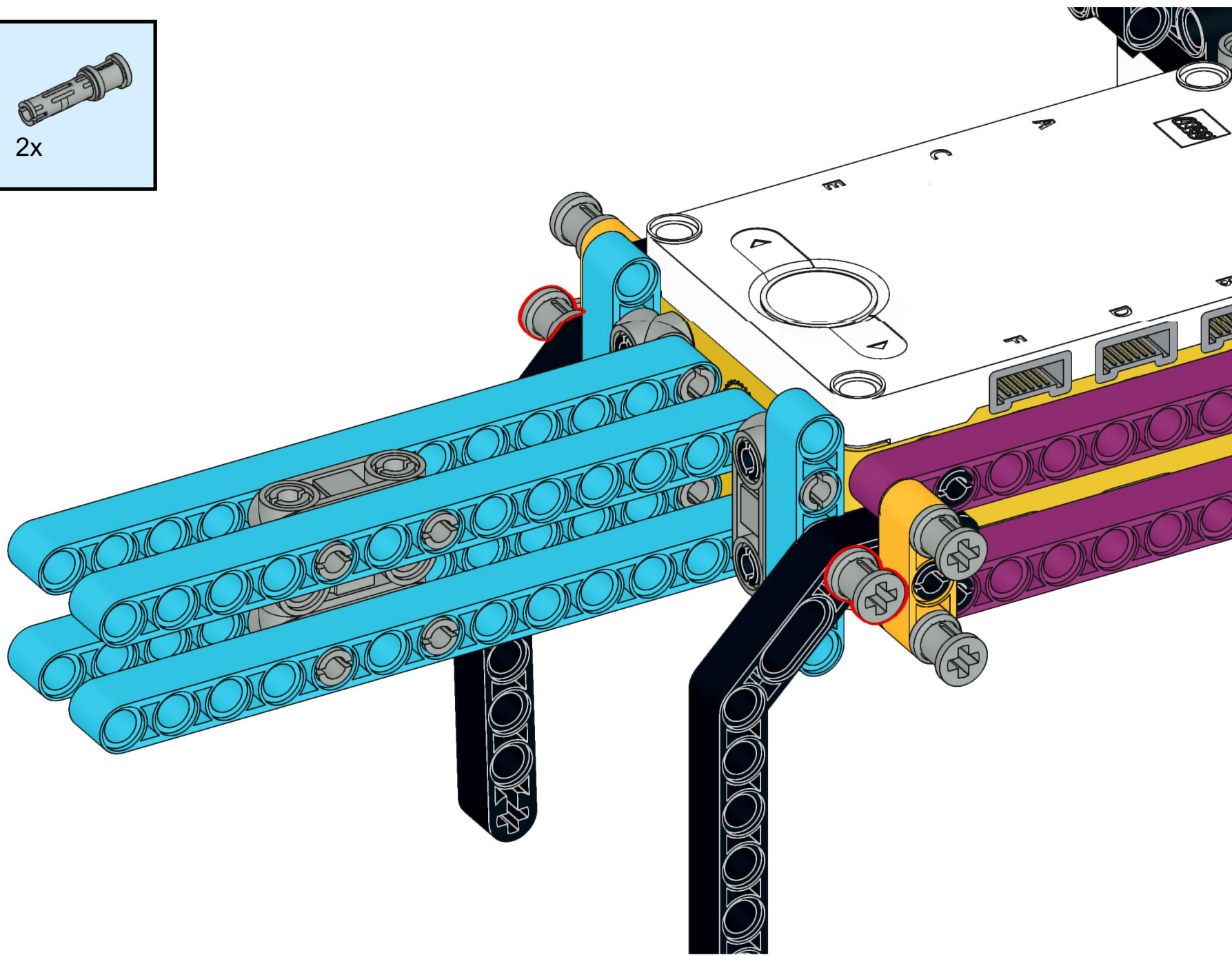
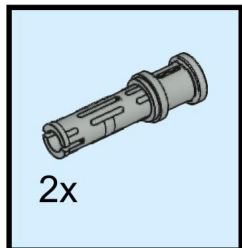
82



83

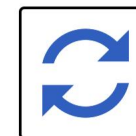
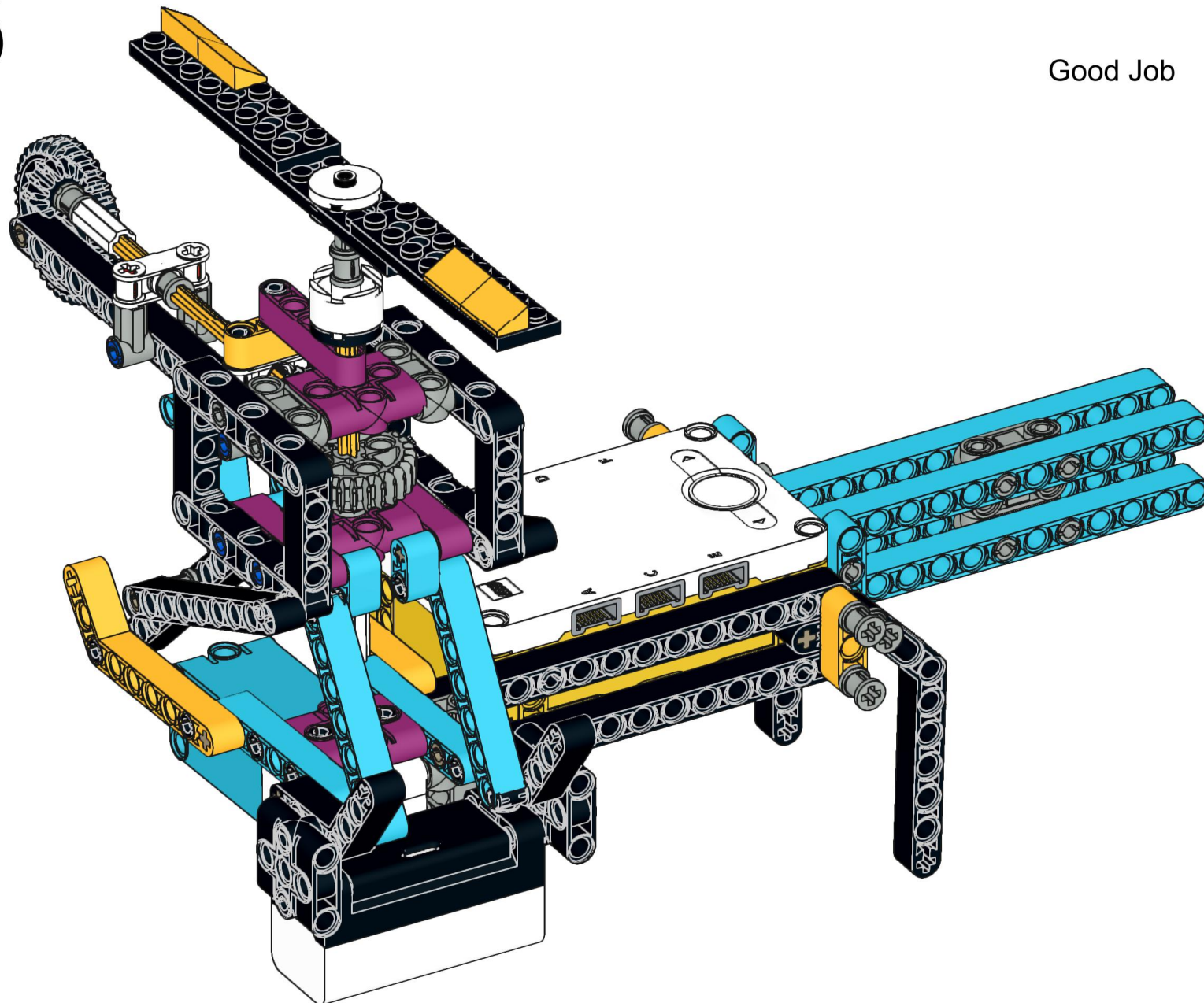


84



85

Good Job



Złączenia programowe





Połącz

when program starts

turn on [B] for 1 s

turn on [B] for 1 s

turn on [B] for 1 s

send message [wiadomość1]

when I receive [wiadomość1]

set button color to [niebieski]

[B] turn on light

always

if [B] is [dalej niż] [30] [cm] ? to

[E] set speed to [75] %

[E] start motor

if [B] is [dokładnie na] [30] [cm] ? to

[E] set speed to [25] %

[E] start motor

if [B] is [bliżej niż] [30] [cm] ? to

[A] stop motor